



...since 1984

LED
LCD

TOUCH

LED

TFT

TOUCH

LCD

OLED

KEYPADS

TFT

OLED

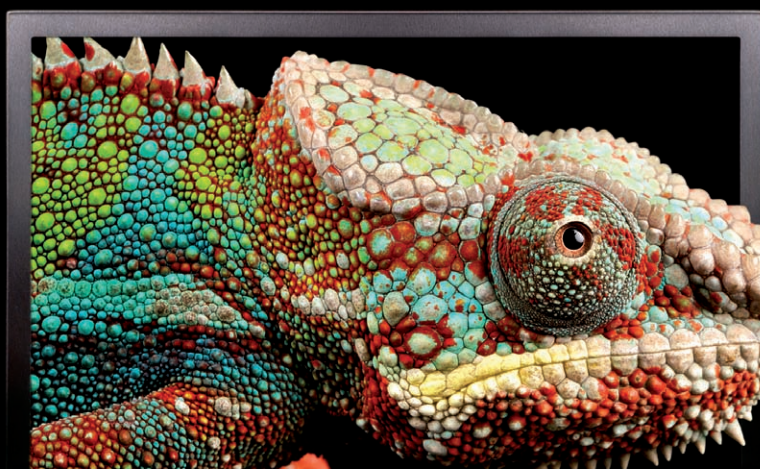
KEYPADS



COLOUR UP



YOUR LIFE



Products 01/2020

Display Elektronik GmbH was established in 1984 as a value added supplier of Liquid Crystal Displays.

We rapidly gained a first class reputation as a supplier of high quality standard and custom designed displays. Our sales activities expanded throughout Europe and other parts of the world. We hold investments in LCD production plants and have licenced contracts with certified LCD-manufacturers. We serve the whole of Europe into the following applications:

APPLICATIONS:

- Telecommunication
- Electromedicine
- Fuel pumps
- Gas meters
- Electricity meters
- Home facilities
- Measuring instruments
- Automotive



Parachute Application

Our standard LCD-product range includes LCD-Panels, Digital-Modules, Alphanumeric-Modules and Graphic-Modules. To complete our LCD-Product range we offer TFT-Displays and OLED-Displays as well. In addition we also offer LED-Displays, and several accessories like LED-Backlights and Touch-Panels as well. Besides this we also offer customized membrane switches and rubber keypads.

We are specialized in the LCD/TFT-Business and due to our well experience from the beginning of this technology we can offer you our full service in the design-in stage already.

Display Elektronik GmbH offers:

CELL-TECHNOLOGIES:

- TN – Twisted Nematic
- HTN – High Twisted Nematic
- ETN – Extended Twisted Nematic
- EBTN – Enhanced Brightness Twisted Nematic
- ATN – Automotive Twisted Nematic
- VA – Vertical Alignment
- STN – Super Twisted Nematic
- DSTN – Double STN
- ASTN – Automotive STN
- FSTN – Film Compensated STN
- FFSTN – Dark FSTN
- OLED – Organic LED
- PLED – Polymer LED
- LED – Light Emitting Diode
- TFT – Thin Film Transistor
- IPS – In Plane Switching TFT
- EPD – E-Paper, Electrophoretical Displays
- BCD – Bistable Cholesteric Displays

MODULE -TECHNOLOGIES:

- COB – Chip On Board
- COG – Chip On Glass
- TAB/TCP – Tape Carrier Package
- COF – Chip On Foil

CONNECTION-TECHNOLOGIES:

- Elastomer/Zebra
- Pins (standard or custom)
- Heat-Seal
- FFC (Flat-Flexible-Cable)
- FPC (Flexible-Printed-Circuit)
- With or without stiffener (ZIF)
- FMC (Flexible-Metal-Circuit)

BACKLIGHT-TECHNOLOGIES:

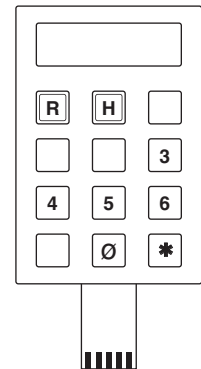
- LED – Lightguide (indirect)
- LED – Lightbox (direct, matrix)
- EL – Electroluminescence foil
- CCFL – Cold Cathode Fluorescence lamp
- RGB – Red/Green/Blue backlight (LED)
- OLED – OLED-backlight (new technology)

PRODUCTION FACILITIES:

- PLANTS – 3 independent lines
- SHEET SIZE – 14" x 16" (mainly)
- CAPACITY – 500000m² sheets per year
- CLEANROOM – CLASS 10000 – CLASS 1000 – CLASS 100
- LOCATION – Taiwan and China

KEYPADS:

- Membrane Switch
- Rubber Keypad



TOUCH-PANELS:

- 4WR - 4 Wire Resistive
- 5WR - 5 Wire Resistive
- 8WR - 8 Wire Resistive
- PCT - Projective Capacitive
- SAW - Sound Acoustic Wave
- IR - Infrared

We offer a full custom design service, from a simple segment panel display through to a complete monochrome or color graphic display solution including interface, backlight and additional components like buttons. This includes a permanent technical support during the series production.

Please contact us – we will make sure that the first step will lead to a successful long lasting reliable partnership.

DESIGN OF CUSTOMIZED DISPLAYS

Please send us:

- a sketch or drawing of the intended display
- details according to the questionnaire
- volume of requested mass production with time schedule

We will send you an offer including:

- tooling costs incl. prototypes
- price for mass production
- time schedule and terms

In case of an order you will get a drawing for your approval. After approval of the drawing, we will start to manufacture the prototypes. After approval of the prototypes by yourself, we will start with mass production. We follow this procedure since many years. This is to ensure that each step has to be approved by you, before the next step will be done. You will be therefore on the safe side.

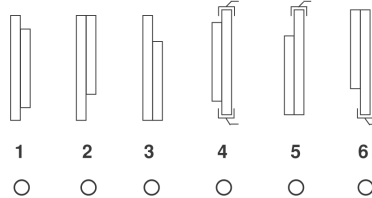
Our capabilities include:

- Glass LCDs
- Chip on Board
- Chip on Flex/Chip on Foil
- Chip on Glass
- Custom LCD Character and Graphics Modules
- Value Added including Zebra Strips, Bezels, PCB's, Membrane Switches, Silicone Rubber Key Pads

Custom LCD Design Guide



LCD Configuration - Select one



A = WIDTH OF GLASS _____ mm
 B = LARGE GLASS _____ mm
 C = VIEWING AREA _____ mm

D = VIEWING AREA _____ mm
 E = SMALL GLASS _____ mm
 F = GLASS THICKNESS _____ mm

Application _____ Outdoor Indoor
 Operating temperature from _____ °C to _____
 Storage temperature from _____ °C to _____
 Reflective (for ambient light)
 Transflective (for ambient light with possibility of backlight)
 Transmissive (for backlight only)

Mode
 TN STN (yellow/green) FSTN FSC NEGATIVE
 HTN STN (grey) DSTN CSTN POSITIVE
 EBTN STN (blue) FFSTN TFT
 ATN ESTN OLED
 VA ASTN E-PAPER

Connection
 Elastomer Heatseal
 Fixed pins FFC
 Connector FPC Pitch: _____ mm

Viewing angle Top view, 12 o'clock Bottom view, 6 o'clock

Electrical Specifications

operating voltage _____ Volt
 Driving frequency _____ Hz
 Driving IC, model _____
 Brand of IC _____

Driving
 Static (direct) Multiplexed Duty rate _____

Custom Module Design Guide

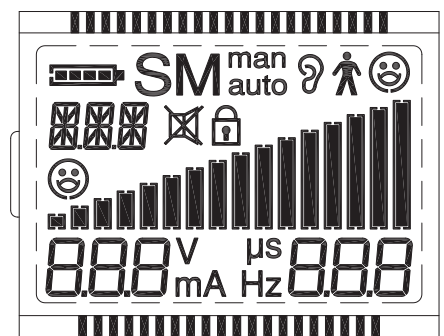
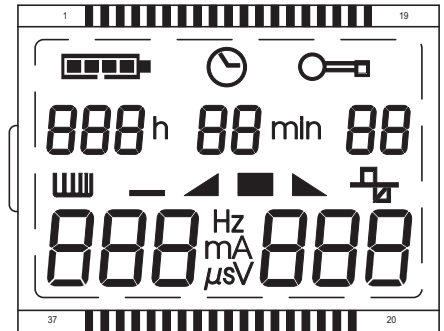
PCB technology: size: COG: total size _____ x _____
 COB: total size _____ x _____
 TCP: total size _____ x _____

Backlight LED EL CCFL Color: _____

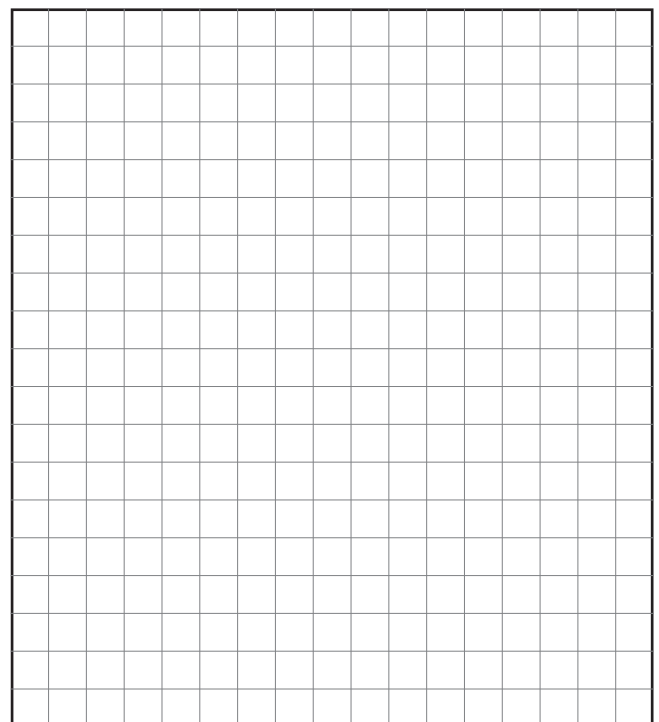
Touch-Panel Technology: _____

Other description: _____

CUSTOM LCD AND MODULES

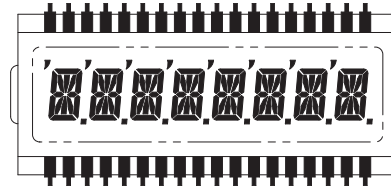
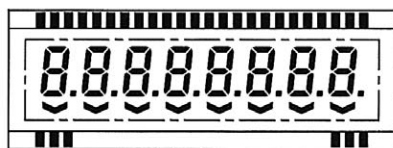
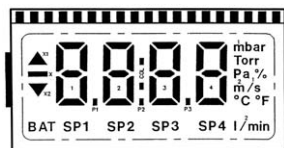


DISPLAY - DESIGN



COMPANY _____ TEL _____
 STREET _____ FAX _____
 CITY _____
 NAME _____ Req. prototypes _____ pcs
 E-MAIL _____ Annual demand _____ pcs

7-SEGMENT PANELS



MODEL	DISPLAY FORMAT	SEGMENT INFO	DIGIT HEIGHT	VIEWING AREA	GLASS SIZE	POLARIZER MODE	TEMPERATURE RANGE	PIN-LENGTH	OPERATING VOLTAGE	DRIVING METHOD
DE 175-MS-10/8,4	1 CHAR	MATRIX 5x7	48,2	39,4 x 49,5	45,7 x 63,5	TRANSMISSIVE	0°C to +50°C	8,40	5 Volt	STATIC
DE 175-RS-10/8,4	1 CHAR	MATRIX 5x7	48,2	39,4 x 49,5	45,7 x 63,5	REFLECTIVE	0°C to +50°C	8,40	5 Volt	STATIC
DE 175-TS-10/8,4	1 CHAR	MATRIX 5x7	48,2	39,4 x 49,5	45,7 x 63,5	TRANSFLECTIVE	0°C to +50°C	8,40	5 Volt	STATIC
DE 174-RS-20/6,35	1 CHAR	MATRIX 5x7	70,0	50,8 x 71,1	57,2 x 82,6	REFLECTIVE	-20°C to +70°C	6,35	5 Volt	STATIC
DE 174-RS-20/7,5	1 CHAR	MATRIX 5x7	70,0	50,8 x 71,1	57,2 x 82,6	REFLECTIVE	-20°C to +70°C	7,50	5 Volt	STATIC
DE 324-RU-30/8,0	1 DIGIT	-	50,8	38,1 x 54,9	42,5 x 68,5	REFLECTIVE	-40°C to +90°C	8,00	3-5 Volt	STATIC
DE 323-RS-20/7,5	1 DIGIT	-	76,0	71,2 x 89,0	76,2 x 101,6	REFLECTIVE	-20°C to +70°C	7,50	3-5 Volt	STATIC
DE 112-RS-20/6,35	2 DIGIT	-	12,7	21,1 x 16,9	28,0 x 30,5	REFLECTIVE	-20°C to +70°C	6,35	3-5 Volt	STATIC
DE 112-TS-20/7,5	2 DIGIT	-	12,7	21,1 x 16,9	28,0 x 30,5	TRANSFLECTIVE	-20°C to +70°C	7,50	3-5 Volt	STATIC
DE 112-TU-30/6,35	2 DIGIT	-	12,7	21,1 x 16,9	28,0 x 30,5	TRANSFLECTIVE	-40°C to +90°C	6,35	3-5 Volt	STATIC
DE 112-TU-30/13,0	2 DIGIT	-	12,7	21,1 x 16,9	28,0 x 30,5	TRANSFLECTIVE	-40°C to +90°C	13,00	3-5 Volt	STATIC
DE 123-MU-20/6,35	3 DIGIT	-	8,9	24,1 x 11,4	30,5 x 22,9	TRANSMISSIVE	-20°C to +70°C	6,35	3-5 Volt	STATIC
DE 123-MU-30/6,35	3 DIGIT	-	8,9	24,1 x 11,4	30,5 x 22,9	TRANSMISSIVE	-40°C to +90°C	6,35	3-5 Volt	STATIC
DE 123-RS-20/6,35	3 DIGIT	-	8,9	24,1 x 11,4	30,5 x 22,9	REFLECTIVE	-20°C to +70°C	6,35	3-5 Volt	STATIC
DE 123-RS-20/7,5	3 DIGIT	-	8,9	24,1 x 11,4	30,5 x 22,9	REFLECTIVE	-20°C to +70°C	7,50	3-5 Volt	STATIC
DE 123-TU-30/7,5	3 DIGIT	-	8,9	24,1 x 11,4	30,5 x 22,9	TRANSFLECTIVE	-40°C to +90°C	7,50	3-5 Volt	STATIC
DE 151-RS-20/7,5	3,5 DIGIT	ARROW	8,9	44,5 x 11,4	50,8 x 22,9	REFLECTIVE	-20°C to +70°C	7,50	3-5 Volt	STATIC
DE 115-RS-20/7,5	3,5 DIGIT	LOW-BAT	10,0	38,0 x 13,0	42,0 x 22,0	REFLECTIVE	-20°C to +70°C	7,50	3-5 Volt	STATIC
DE 113-MS-20/7,5	3,5 DIGIT	LOW-BAT	12,7	44,5 x 16,5	50,8 x 30,5	TRANSMISSIVE	-20°C to +70°C	7,50	3-5 Volt	STATIC
DE 113-RS-20/6,35	3,5 DIGIT	LOW-BAT	12,7	44,5 x 16,5	50,8 x 30,5	REFLECTIVE	-20°C to +70°C	6,35	3-5 Volt	STATIC
DE 113-RS-20/7,5	3,5 DIGIT	LOW-BAT	12,7	44,5 x 16,5	50,8 x 30,5	REFLECTIVE	-20°C to +70°C	7,50	3-5 Volt	STATIC
DE 113-RS-20/8,4	3,5 DIGIT	LOW-BAT	12,7	44,5 x 16,5	50,8 x 30,5	REFLECTIVE	-20°C to +70°C	8,40	3-5 Volt	STATIC
DE 113-RS-20/12,2	3,5 DIGIT	LOW-BAT	12,7	44,5 x 16,5	50,8 x 30,5	REFLECTIVE	-20°C to +70°C	12,20	3-5 Volt	STATIC
DE 113-RU-30/7,5	3,5 DIGIT	LOW-BAT	12,7	44,5 x 16,5	50,8 x 30,5	REFLECTIVE	-40°C to +90°C	7,50	3-5 Volt	STATIC
DE 113-TS-20/7,5	3,5 DIGIT	LOW-BAT	12,7	44,5 x 16,5	50,8 x 30,5	TRANSFLECTIVE	-20°C to +70°C	7,50	3-5 Volt	STATIC
DE 113-TU-30/8,4	3,5 DIGIT	LOW-BAT	12,7	44,5 x 16,5	50,8 x 30,5	TRANSFLECTIVE	-40°C to +90°C	8,40	3-5 Volt	STATIC
DE 114-RS-20/6,35	3,5 DIGIT	~BAT	12,7	44,5 x 16,5	50,8 x 30,5	REFLECTIVE	-20°C to +70°C	6,35	3-5 Volt	STATIC
DE 114-RS-20/7,5	3,5 DIGIT	~BAT	12,7	44,5 x 16,5	50,8 x 30,5	REFLECTIVE	-20°C to +70°C	7,50	3-5 Volt	STATIC
DE 114-RS-20/8,4	3,5 DIGIT	~BAT	12,7	44,5 x 16,5	50,8 x 30,5	REFLECTIVE	-20°C to +70°C	8,40	3-5 Volt	STATIC
DE 114-TU-30/7,5	3,5 DIGIT	~BAT	12,7	44,5 x 16,5	50,8 x 30,5	TRANSFLECTIVE	-40°C to +90°C	7,50	3-5 Volt	STATIC
DE 170-RS-20/7,5	3,5 DIGIT	ARROW	12,7	44,5 x 16,5	50,8 x 30,5	REFLECTIVE	-20°C to +70°C	7,50	3-5 Volt	STATIC
DE 170-RU-30/6,35	3,5 DIGIT	ARROW	12,7	44,5 x 16,5	50,8 x 30,5	REFLECTIVE	-40°C to +90°C	6,35	3-5 Volt	STATIC
DE 170-TS-20/6,35	3,5 DIGIT	ARROW	12,7	44,5 x 16,5	50,8 x 30,5	TRANSFLECTIVE	-20°C to +70°C	6,35	3-5 Volt	STATIC
DE 131-RU-30/8,4	3,5 DIGIT	ARROW	17,8	62,2 x 24,1	69,9 x 38,1	REFLECTIVE	-40°C to +90°C	8,40	3-5 Volt	STATIC
DE 131-TU-30/6,35	3,5 DIGIT	ARROW	17,8	62,2 x 24,1	69,9 x 38,1	TRANSFLECTIVE	-40°C to +90°C	6,35	3-5 Volt	STATIC
DE 182-RS-20/7,5	3,5 DIGIT	~BAT	17,8	65,8 x 26,0	69,8 x 38,0	REFLECTIVE	-20°C to +70°C	7,50	3-5 Volt	STATIC
DE 182-TU-30/7,5	3,5 DIGIT	~BAT	17,8	65,8 x 26,0	69,8 x 38,0	TRANSFLECTIVE	-40°C to +90°C	7,50	3-5 Volt	STATIC
DE 117-RS-20/6,35	4 DIGIT	-	6,8	21,5 x 9,4	23,9 x 16,8	REFLECTIVE	-20°C to +70°C	6,35	3-5 Volt	STATIC
DE 117-RS-20/7,5	4 DIGIT	-	6,8	21,5 x 9,4	23,9 x 16,8	REFLECTIVE	-20°C to +70°C	7,50	3-5 Volt	STATIC
DE 117-RS-21	4 DIGIT	-	6,8	21,5 x 9,4	23,9 x 16,8	REFLECTIVE	-20°C to +70°C	ZEBRA	3-5 Volt	STATIC
DE 117-TS-20/7,5	4 DIGIT	-	6,8	21,5 x 9,4	23,9 x 16,8	TRANSFLECTIVE	-20°C to +70°C	7,50	3-5 Volt	STATIC
DE 117-TU-21	4 DIGIT	-	6,8	21,5 x 9,4	23,9 x 16,8	TRANSFLECTIVE	-20°C to +70°C	ZEBRA	3-5 Volt	STATIC
DE 118-RS-11	4 DIGIT	-	8,0	34,0 x 12,0	38,0 x 20,3	REFLECTIVE	0°C to +50°C	ZEBRA	3-5 Volt	STATIC
DE 118-RS-20/6,35	4 DIGIT	-	8,0	34,0 x 12,0	38,0 x 20,3	REFLECTIVE	-20°C to +70°C	6,35	3-5 Volt	STATIC
DE 118-RS-21	4 DIGIT	-	8,0	34,0 x 12,0	38,0 x 20,3	REFLECTIVE	-20°C to +70°C	ZEBRA	3-5 Volt	STATIC
DE 118-RU-21	4 DIGIT	-	8,0	34,0 x 12,0	38,0 x 20,3	REFLECTIVE	-20°C to +70°C	ZEBRA	3-5 Volt	STATIC
DE 118-TS-20/8,0	4 DIGIT	-	8,0	34,0 x 12,0	38,0 x 20,3	TRANSFLECTIVE	-20°C to +70°C	8,00	3-5 Volt	STATIC
DE 118-TS-21/12°	4 DIGIT	-	8,0	34,0 x 12,0	38,0 x 20,3	TRANSFLECTIVE	-20°C to +70°C	ZEBRA	3-5 Volt	STATIC
DE 116-TU-31	4 DIGIT	-	8,0	34,0 x 12,0	38,0 x 20,3	TRANSFLECTIVE	-40°C to +90°C	ZEBRA	3-5 Volt	STATIC
DE 127-RS-20/6,35	4 DIGIT	-	8,9	44,5 x 11,4	50,8 x 22,9	REFLECTIVE	-20°C to +70°C	6,35	3-5 Volt	STATIC
DE 127-RS-20/7,5	4 DIGIT	-	8,9	44,5 x 11,4	50,8 x 22,9	REFLECTIVE	-20°C to +70°C	7,50	3-5 Volt	STATIC
DE 127-TU-30/7,5	4 DIGIT	-	8,9	44,5 x 11,4	50,8 x 22,9	TRANSFLECTIVE	-40°C to +90°C	7,50	3-5 Volt	STATIC
DE 325-RS-20/8,4 (3 Volt)	4 DIGIT	°C + DIV.	11,5	45,0 x 19,0	49,0 x 25,5	REFLECTIVE	-20°C to +70°C	8,40	3 Volt	MUX 1/4
DE 325-RS-20/8,4 (5 Volt)	4 DIGIT	°C + DIV.	11,5	45,0 x 19,0	49,0 x 25,5	REFLECTIVE	-20°C to +70°C	8,40	5 Volt	MUX 1/4
DE 119-MS-20/7,5/N	4 DIGIT	-	12,7	44,4 x 16,5	50,8 x 30,5	TRANSMISSIVE	-20°C to +70°C	7,50	3-5 Volt	STATIC
DE 119-RS-20/6,35	4 DIGIT	-	12,7	44,4 x 16,5	50,8 x 30,5	REFLECTIVE	-20°C to +70°C	6,35	3-5 Volt	STATIC
DE 119-RS-20/7,5	4 DIGIT	-	12,7	44,4 x 16,5	50,8 x 30,5	REFLECTIVE	-20°C to +70°C	7,50	3-5 Volt	STATIC
DE 119-TS-20/7,5	4 DIGIT	-	12,7	44,4 x 16,5	50,8 x 30,5	TRANSFLECTIVE	-20°C to +70°C	7,50	3-5 Volt	STATIC
DE 119-TU-30/8,4	4 DIGIT	-	12,7	44,4 x 16,5	50,8 x 30,5	TRANSFLECTIVE	-40°C to +90°C	8,40	3-5 Volt	STATIC
DE 119-TU-30/12,2	4 DIGIT	-	12,7	44,4 x 16,5	50,8 x 30,5	TRANSFLECTIVE	-40°C to +90°C	12,20	3-5 Volt	STATIC
DE 161-RS-20/7,5 (3 Volt)	4 DIGIT	-	12,7	45,7 x 17,7	50,8 x 30,5	REFLECTIVE	-20°C to +70°C	7,50	3 Volt	MUX 1/3
DE 161-RS-20/7,5 (5 Volt)	4 DIGIT	-	12,7	45,7 x 17,7	50,8 x 30,5	REFLECTIVE	-20°C to +70°C	7,50	5 Volt	MUX 1/3
DE 161-TS-20/7,5 (3 Volt)	4 DIGIT	-	12,7	45,7 x 17,7	50,8 x 30,5	TRANSFLECTIVE	-20°C to +70°C	7,50	3 Volt	MUX 1/3
DE 161-TS-20/7,5 (5 Volt)	4 DIGIT	-	12,7	45,7 x 17,7	50,8 x 30,5	TRANSFLECTIVE	-20°C to +70°C	7,50	5 Volt	MUX 1/3
DE 152-RS-20/7,5	4 DIGIT	TRIANGLE	12,7	44,5 x 16,5	50,8 x 30,5	REFLECTIVE	-20°C to +70°C	7,50	3-5 Volt	STATIC

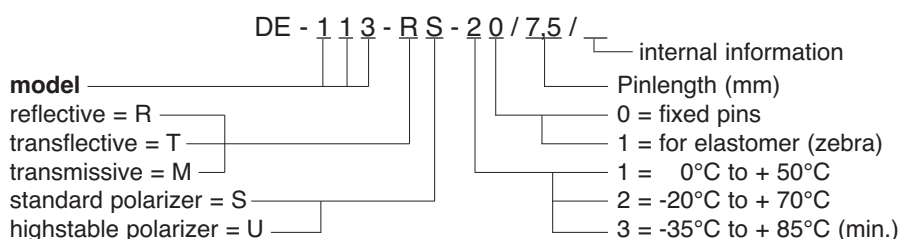
other models upon request

7-SEGMENT PANELS

MODEL	DISPLAY FORMAT	SEGMENT INFO	DIGIT HEIGHT	VIEWING AREA	GLASS SIZE	POLARIZER MODE	TEMPERATURE RANGE	PIN- LENGTH	OPERATING VOLTAGE	DRIVING METHOD	
DE 120-RS-20/7,5	4	DIGIT	-	17,8	63,5 x 24,1	69,9 x 38,1	REFLECTIVE	-20°C to +70°C	7,50	3-5 Volt	STATIC
DE 120-RU-30/7,5	4	DIGIT	-	17,8	63,5 x 24,1	69,9 x 38,1	REFLECTIVE	-40°C to +90°C	7,50	3-5 Volt	STATIC
DE 120-TS-20/7,5	4	DIGIT	-	17,8	63,5 x 24,1	69,9 x 38,1	TRANSFLECTIVE	-20°C to +70°C	7,50	3-5 Volt	STATIC
DE 158-RS-20/6,35	4	DIGIT	-	25,4	87,5 x 31,8	94,0 x 45,7	REFLECTIVE	-20°C to +70°C	6,35	3-5 Volt	STATIC
DE 158-RS-20/8,4	4	DIGIT	-	25,4	87,5 x 31,8	94,0 x 45,7	REFLECTIVE	-20°C to +70°C	8,40	3-5 Volt	STATIC
DE 158-RU-30/8,4	4	DIGIT	-	25,4	87,5 x 31,8	94,0 x 45,7	REFLECTIVE	-40°C to +90°C	8,40	3-5 Volt	STATIC
DE 158-TU-30/8,4	4	DIGIT	-	25,4	87,5 x 31,8	94,0 x 45,7	TRANSFLECTIVE	-40°C to +90°C	8,40	3-5 Volt	STATIC
DE 128-RS-20/7,5	4,5	DIGIT	ARROW	8,9	44,5 x 11,4	50,8 x 22,9	REFLECTIVE	-20°C to +70°C	7,50	3-5 Volt	STATIC
DE 128-RS-20/12,2	4,5	DIGIT	ARROW	8,9	44,5 x 11,4	50,8 x 22,9	REFLECTIVE	-20°C to +70°C	12,20	3-5 Volt	STATIC
DE 128-TU-20/7,5	4,5	DIGIT	ARROW	8,9	44,5 x 11,4	50,8 x 22,9	TRANSFLECTIVE	-20°C to +70°C	7,50	3-5 Volt	STATIC
DE 128-TU-30/7,5	4,5	DIGIT	ARROW	8,9	44,5 x 11,4	50,8 x 22,9	TRANSFLECTIVE	-40°C to +90°C	7,50	3-5 Volt	STATIC
DE 121-RS-20/6,35	4,5	DIGIT	LOW-BAT	10,2	44,5 x 16,5	50,8 x 30,5	REFLECTIVE	-20°C to +70°C	6,35	3-5 Volt	STATIC
DE 121-RS-20/7,5	4,5	DIGIT	LOW-BAT	10,2	44,5 x 16,5	50,8 x 30,5	REFLECTIVE	-20°C to +70°C	7,50	3-5 Volt	STATIC
DE 159-RS-20/7,5	4,5	DIGIT	ARROW	10,2	44,5 x 16,5	50,8 x 30,5	REFLECTIVE	-20°C to +70°C	7,50	3-5 Volt	STATIC
DE 183-RU-30/8,4 (3 Volt)	4,5	DIGIT	DIV.	10,0	46,8 x 18,0	50,8 x 30,5	REFLECTIVE	-40°C to +90°C	8,40	3 Volt	MUX 1/3
DE 183-RU-30/8,4 (5 Volt)	4,5	DIGIT	DIV.	10,0	46,8 x 18,0	50,8 x 30,5	REFLECTIVE	-40°C to +90°C	8,40	5 Volt	MUX 1/3
DE 183-TU-30/8,4 (5 Volt)	4,5	DIGIT	DIV.	10,0	46,8 x 18,0	50,8 x 30,5	TRANSFLECTIVE	-40°C to +90°C	8,40	5 Volt	MUX 1/3
DE 184-RU-30/7,5	4,5	DIGIT	ARROW	15,2	63,0 x 24,0	69,9 x 38,1	REFLECTIVE	-40°C to +90°C	7,50	3-5 Volt	STATIC
DE 160-RS-20/7,5	4,5	DIGIT	ARROW	20,5	87,5 x 31,7	93,9 x 45,7	REFLECTIVE	-20°C to +70°C	7,50	3-5 Volt	STATIC
DE 129-RS-20/12,2	5	DIGIT	-	10,2	44,5 x 16,5	50,8 x 30,5	REFLECTIVE	-20°C to +70°C	12,20	3-5 Volt	STATIC
DE 303-RU-20/12,2 (3 Volt)	5	DIGIT	-	11,0	47,0 x 15,3	50,8 x 30,5	REFLECTIVE	-20°C to +70°C	12,20	3 Volt	MUX 1/2
DE 130-RS-20/7,5	5	DIGIT	-	17,8	74,9 x 24,1	81,3 x 38,1	REFLECTIVE	-20°C to +70°C	7,50	3-5 Volt	STATIC
DE 130-TS-20/7,5	5	DIGIT	-	17,8	74,9 x 24,1	81,3 x 38,1	TRANSFLECTIVE	-20°C to +70°C	7,50	3-5 Volt	STATIC
DE 163-RU-30/7,5	5	DIGIT	-	25,4	107,0 x 30,5	114,3 x 45,7	REFLECTIVE	-40°C to +90°C	7,50	3-5 Volt	STATIC
DE 163-TU-30/7,5	5	DIGIT	-	25,4	107,0 x 30,5	114,3 x 45,7	TRANSFLECTIVE	-40°C to +90°C	7,50	3-5 Volt	STATIC
DE 126-RS-20/7,5	6	DIGIT	-	8,9	58,5 x 12,4	63,5 x 22,9	REFLECTIVE	-20°C to +70°C	7,50	3-5 Volt	STATIC
DE 122-RS-20/6,35	6	DIGIT	-	12,7	63,5 x 16,5	69,9 x 30,5	REFLECTIVE	-20°C to +70°C	6,35	3-5 Volt	STATIC
DE 122-TU-30/12,2	6	DIGIT	-	12,7	63,5 x 16,5	69,9 x 30,5	TRANSFLECTIVE	-40°C to +90°C	12,20	3-5 Volt	STATIC
DE 132-RS-20/8,4	6	DIGIT	-	17,8	87,5 x 24,1	93,9 x 38,1	REFLECTIVE	-20°C to +70°C	8,40	3-5 Volt	STATIC
DE 132-TU-30/8,4	6	DIGIT	-	17,8	87,5 x 24,1	93,9 x 38,1	TRANSFLECTIVE	-40°C to +90°C	8,40	3-5 Volt	STATIC
DE 156-RU-30/7,5	6	DIGIT	-	25,4	130,8 x 31,8	137,2 x 45,7	REFLECTIVE	-40°C to +90°C	7,50	3-5 Volt	STATIC
DE 156-TU-30/7,5	6	DIGIT	-	25,4	130,8 x 31,8	137,2 x 45,7	TRANSFLECTIVE	-40°C to +90°C	7,50	3-5 Volt	STATIC
DE 336-RU-30/6,35	6	DIGIT	-	40,0	162,0 x 58,0	170,0 x 75,0	REFLECTIVE	-40°C to +90°C	6,35	3-5 Volt	STATIC
DE 336-TU-30/6,35	6	DIGIT	-	40,0	162,0 x 58,0	170,0 x 75,0	TRANSFLECTIVE	-40°C to +90°C	6,35	3-5 Volt	STATIC
DE 337-RU-30/7,5	6	DIGIT	-	80,0	329,0 x 84,0	335,0 x 96,0	REFLECTIVE	-40°C to +90°C	7,50	3-5 Volt	STATIC
DE 337-TU-30/7,5	6	DIGIT	-	80,0	329,0 x 84,0	335,0 x 96,0	TRANSFLECTIVE	-40°C to +90°C	7,50	3-5 Volt	STATIC
DE 188-RU-30/7,5 (3 Volt)	8	DIGIT	-	5,0	31,9 x 6,0	34,9 x 13,0	REFLECTIVE	-40°C to +90°C	7,50	3 Volt	MUX 1/4
DE 188-RU-30/7,5 (4 Volt)	8	DIGIT	-	5,0	31,9 x 6,0	34,9 x 13,0	REFLECTIVE	-40°C to +90°C	7,50	4 Volt	MUX 1/4
DE 188-TU-30/7,5 (4 Volt)	8	DIGIT	-	5,0	31,9 x 6,0	34,9 x 13,0	TRANSFLECTIVE	-40°C to +90°C	7,50	4 Volt	MUX 1/4
DE 124-RS-20/7,5 (3 Volt)	8	DIGIT	-	6,0	34,0 x 11,6	38,0 x 20,3	REFLECTIVE	-20°C to +70°C	7,50	3 Volt	MUX 1/2
DE 124-RS-21 (3 Volt)	8	DIGIT	-	6,0	34,0 x 11,6	38,0 x 20,3	REFLECTIVE	-20°C to +70°C	ZEBRA	3 Volt	MUX 1/2
DE 301-RS-20/6,35 (3 Volt)	8	DIGIT	14-SEGMENT	7,0	48,0 x 13,0	52,0 x 22,0	REFLECTIVE	-20°C to +70°C	6,35	3 Volt	MUX 1/4
DE 301-RS-20/6,35 (5 Volt)	8	DIGIT	14-SEGMENT	7,0	48,0 x 13,0	52,0 x 22,0	REFLECTIVE	-20°C to +70°C	6,35	5 Volt	MUX 1/4
DE 301-RS-21 (3 Volt)	8	DIGIT	14-SEGMENT	7,0	47,0 x 13,0	52,0 x 22,0	REFLECTIVE	-20°C to +70°C	ZEBRA	3 Volt	MUX 1/4
DE 301-RS-21 (5 Volt)	8	DIGIT	14-SEGMENT	7,0	47,0 x 13,0	52,0 x 22,0	REFLECTIVE	-20°C to +70°C	ZEBRA	5 Volt	MUX 1/4
DE 301-TS-20/6,35 (3 Volt)	8	DIGIT	14-SEGMENT	7,0	48,0 x 13,0	52,0 x 22,0	TRANSFLECTIVE	-20°C to +70°C	6,35	3 Volt	MUX 1/4
DE 301-TU-30/6,35 (5 Volt)	8	DIGIT	14-SEGMENT	7,0	48,0 x 13,0	52,0 x 22,0	TRANSFLECTIVE	-40°C to +90°C	6,35	5 Volt	MUX 1/4
DE 302-RU-30/6,35 (4,7 Volt)	8	DIGIT	14-SEGMENT	9,0	64,0 x 12,5	70,0 x 25,0	REFLECTIVE	-40°C to +90°C	6,35	4,7 Volt	MUX 1/4
DE 133-RS-30/6,35/12° (3 Volt)	8	DIGIT	ARROW	9,0	64,0 x 14,5	70,0 x 25,0	REFLECTIVE	-40°C to +90°C	6,35	3 Volt	MUX 1/3
DE 133-RS-30/6,35/12° (5 Volt)	8	DIGIT	ARROW	9,0	64,0 x 14,5	70,0 x 25,0	REFLECTIVE	-40°C to +90°C	6,35	5 Volt	MUX 1/3
DE 125-MU-20/7,5	8	DIGIT	-	12,7	87,5 x 16,5	93,9 x 30,5	TRANSMISSIVE	-20°C to +70°C	7,50	3-5 Volt	STATIC
DE 125-RS-20/6,35	8	DIGIT	-	12,7	87,5 x 16,5	93,9 x 30,5	REFLECTIVE	-20°C to +70°C	6,35	3-5 Volt	STATIC
DE 125-RS-20/7,5	8	DIGIT	-	12,7	87,5 x 16,5	93,9 x 30,5	REFLECTIVE	-20°C to +70°C	7,50	3-5 Volt	STATIC
DE 125-TU-30/12,2	8	DIGIT	-	12,7	87,5 x 16,5	93,9 x 30,5	TRANSFLECTIVE	-40°C to +90°C	12,20	3-5 Volt	STATIC
DE 335-RU-30/6,35	8	DIGIT	-	25,4	167,7 x 31,8	174,0 x 45,7	REFLECTIVE	-40°C to +90°C	6,35	3-5 Volt	STATIC
DE 335-TU-30/6,35	8	DIGIT	-	25,4	167,7 x 31,8	174,0 x 45,7	TRANSFLECTIVE	-40°C to +90°C	6,35	3-5 Volt	STATIC
DE 334-TU-30/13,0	16 x	BAR	16 SEGMENTS	12,7	26,7 x 20,1	31,1 x 30,5	TRANSFLECTIVE	-40°C to +90°C	13,00	3-5 Volt	STATIC
DE 137-RS-20/6,35	32 x	BAR	32 SEGMENTS	12,7	95,2 x 16,5	101,7 x 30,5	REFLECTIVE	-20°C to +70°C	6,35	3-5 Volt	STATIC
DE 137-TU-30/13,0	32 x	BAR	32 SEGMENTS	12,7	95,2 x 16,5	101,7 x 30,5	TRANSFLECTIVE	-40°C to +90°C	13,00	3-5 Volt	STATIC

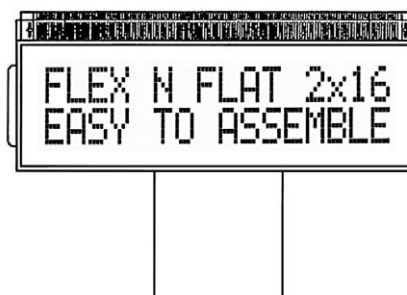
other models upon request

ORDERING INFORMATION



Example:
 DE-113-RS-20/7,5 /M
 LCD 3-1/2 digits
 Digit height 12,7 mm
 Reflective
 Standard polarizer
 Extended temperature
 Fixed pins
 Pinlength 7,5 mm

ALPHANUMERIC DOT MATRIX MODULES



MODEL	DISPLAY FORMAT	CHARACTER HEIGHT	VIEWING AREA	MODULE SIZE	TECHNOLOGY	BACKLIGHT / COLOR	IMAGE (POS/NEG)	MPU INTERFACE	REMARKS
DEM 08171 FGH-PW	8 x 1	7,93	44,0 x 13,0	60,0 x 33,0	FSTN	LED / WHITE	POSITIVE	8-Bit-MCU	-
DEM 08171 SBH-PW-N	8 x 1	7,93	44,0 x 13,0	60,0 x 33,0	STN-BLUE	LED / WHITE	NEGATIVE	8-Bit-MCU	-
DEM 08171 SYH	8 x 1	7,93	44,0 x 13,0	60,0 x 33,0	STN-YELLOW/GREEN	NO BACKLIGHT	POSITIVE	8-Bit-MCU	-
DEM 08171 SYH-LY	8 x 1	7,93	44,0 x 13,0	60,0 x 33,0	STN-YELLOW/GREEN	LED / YELLOW/GREEN	POSITIVE	8-Bit-MCU	-
DEM 08172 FGH-PW	8 x 1	10,75	61,0 x 15,8	84,0 x 44,0	FSTN	LED / WHITE	POSITIVE	8-Bit-MCU	-
DEM 08172 SBH-PW-N	8 x 1	10,75	61,0 x 15,8	84,0 x 44,0	STN-BLUE	LED / WHITE	NEGATIVE	8-Bit-MCU	-
DEM 08172 SYH-PY	8 x 1	10,75	61,0 x 15,8	84,0 x 44,0	STN-YELLOW/GREEN	LED / YELLOW/GREEN	POSITIVE	8-Bit-MCU	-
DEM 08172 SYH-PY-CYR22	8 x 1	10,75	61,0 x 15,8	84,0 x 44,0	STN-YELLOW/GREEN	LED / YELLOW/GREEN	POSITIVE	8-Bit-MCU	Cyrillic
DEM 08201 SGH-LY	8 x 2	4,35	31,0 x 14,5	40,0 x 30,5	STN-GREY	LED / YELLOW/GREEN	POSITIVE	8-Bit-MCU	-
DEM 08202 SYH-LY	8 x 2	3,80	35,0 x 15,0	58,0 x 32,0	STN-YELLOW/GREEN	LED / YELLOW/GREEN	POSITIVE	8-Bit-MCU	-
DEM 16101 SYH	16 x 1	5,95	63,5 x 13,8	80,0 x 36,0	STN-YELLOW/GREEN	NO BACKLIGHT	POSITIVE	8-Bit-MCU	-
DEM 16101 SYH-LY	16 x 1	5,95	63,5 x 13,8	80,0 x 36,0	STN-YELLOW/GREEN	LED / YELLOW/GREEN	POSITIVE	8-Bit-MCU	-
DEM 16101 TGH	16 x 1	5,95	63,5 x 13,8	80,0 x 36,0	TN	NO BACKLIGHT	POSITIVE	8-Bit-MCU	-
DEM 16102 FGH-PW	16 x 1	7,90	61,0 x 15,8	80,0 x 36,0	FSTN	LED / WHITE	POSITIVE	8-Bit-MCU	-
DEM 16102 SBH-PW-N	16 x 1	7,90	61,0 x 15,8	80,0 x 36,0	STN-BLUE	LED / WHITE	NEGATIVE	8-Bit-MCU	-
DEM 16102 SYH	16 x 1	7,90	61,0 x 15,8	80,0 x 36,0	STN-YELLOW/GREEN	NO BACKLIGHT	POSITIVE	8-Bit-MCU	-
DEM 16102 SYH-CYR22	16 x 1	7,90	61,0 x 15,8	80,0 x 36,0	STN-YELLOW/GREEN	NO BACKLIGHT	POSITIVE	8-Bit-MCU	Cyrillic
DEM 16102 SYH-LY	16 x 1	7,90	61,0 x 15,8	80,0 x 36,0	STN-YELLOW/GREEN	LED / YELLOW/GREEN	POSITIVE	8-Bit-MCU	-
DEM 16102 SYH-LY-CYR22	16 x 1	7,90	61,0 x 15,8	80,0 x 36,0	STN-YELLOW/GREEN	LED / YELLOW/GREEN	POSITIVE	8-Bit-MCU	Cyrillic
DEM 16102 SYH-PY	16 x 1	7,90	61,0 x 15,8	80,0 x 36,0	STN-YELLOW/GREEN	LED / YELLOW/GREEN	POSITIVE	8-Bit-MCU	-
DEM 16102 TGH	16 x 1	7,90	61,0 x 15,8	80,0 x 36,0	TN	NO BACKLIGHT	POSITIVE	8-Bit-MCU	-
DEM 16102 TGH-CYR22	16 x 1	7,90	61,0 x 15,8	80,0 x 36,0	TN	NO BACKLIGHT	POSITIVE	8-Bit-MCU	Cyrillic
DEM 16103 SYH-LY	16 x 1	9,68	99,0 x 13,0	122,0 x 33,0	STN-YELLOW/GREEN	LED / YELLOW/GREEN	POSITIVE	8-Bit-MCU	-
DEM 16205 SGH	16 x 2	7,69	76,0 x 18,0	79,0 x 28,0	STN-GREY	NO BACKLIGHT	POSITIVE	SPI	-
DEM 16205 FGH-PW	16 x 2	7,69	76,0 x 18,0	84,0 x 28,0	FSTN	LED / WHITE	POSITIVE	SPI	-
DEM 16205 SBH-PW-N	16 x 2	7,69	76,0 x 18,0	84,0 x 28,0	STN-BLUE	LED / WHITE	NEGATIVE	SPI	-
DEM 16205 SYH-PY	16 x 2	7,69	76,0 x 18,0	84,0 x 28,0	STN-YELLOW/GREEN	LED / YELLOW/GREEN	POSITIVE	SPI	-
DEM 16206 FGH-PW	16 x 2	3,79	40,0 x 10,0	51,2 x 20,7	FSTN	LED / WHITE	POSITIVE	I2C	-
DEM 16206 SBH-PW-N	16 x 2	3,79	40,0 x 10,0	51,2 x 20,7	STN-BLUE	LED / WHITE	NEGATIVE	I2C	-
DEM 16207 SGH	16 x 2	4,75	50,0 x 16,0	54,0 x 26,0	STN-GREY	NO BACKLIGHT	POSITIVE	SPI	-
DEM 16207 FGH-PW	16 x 2	4,75	50,0 x 16,0	59,0 x 26,0	FSTN	LED / WHITE	POSITIVE	SPI	-
DEM 16207 SBH-PW-N	16 x 2	4,75	50,0 x 16,0	59,0 x 26,0	STN-BLUE	LED / WHITE	NEGATIVE	SPI	-
DEM 16207 SYH-PY	16 x 2	4,75	50,0 x 16,0	59,0 x 26,0	STN-YELLOW/GREEN	LED / YELLOW/GREEN	POSITIVE	SPI	-
DEM 16208 FGH-PW	16 x 2	4,67	51,5 x 12,2	62,8 x 23,0	FSTN	LED / WHITE	POSITIVE	I2C	-
DEM 16208 SBH-PW-N	16 x 2	4,67	51,5 x 12,2	62,8 x 23,0	STN-BLUE	LED / WHITE	NEGATIVE	I2C	-
DEM 16209 FGH-PW	16 x 2	5,15	61,0 x 15,7	76,0 x 28,7	FSTN	LED / WHITE	POSITIVE	8-Bit-MCU	-
DEM 16209 SBH-PW-N	16 x 2	5,15	61,0 x 15,7	76,0 x 28,7	STN-BLUE	LED / WHITE	NEGATIVE	8-Bit-MCU	-
DEM 16210 SGH	16 x 2	4,35	64,5 x 15,0	69,8 x 30,5	STN-GREY	NO BACKLIGHT	POSITIVE	8-Bit-MCU	-
DEM 16211 SY-LY	16 x 2	5,63	61,0 x 19,0	84,0 x 40,0	STN-YELLOW/GREEN	LED / YELLOW/GREEN	POSITIVE	8-Bit-MCU	-
DEM 16211 SY-PY	16 x 2	5,63	61,0 x 19,0	84,0 x 40,0	STN-YELLOW/GREEN	LED / YELLOW/GREEN	POSITIVE	8-Bit-MCU	-
DEM 16212 SYH-LY	16 x 2	5,63	61,0 x 19,0	84,0 x 40,0	STN-YELLOW/GREEN	LED / YELLOW/GREEN	POSITIVE	8-Bit-MCU	-
DEM 16212 SY-PY	16 x 2	5,63	61,0 x 19,0	84,0 x 40,0	STN-YELLOW/GREEN	LED / YELLOW/GREEN	POSITIVE	8-Bit-MCU	-
DEM 16213 SYH	16 x 2	4,35	63,5 x 13,8	80,0 x 36,0	STN-YELLOW/GREEN	NO BACKLIGHT	POSITIVE	8-Bit-MCU	-
DEM 16214 FGH-PW	16 x 2	7,76	80,0 x 20,5	100,0 x 42,0	FSTN	LED / WHITE	POSITIVE	8-Bit-MCU	-
DEM 16214 SBH-PW-N	16 x 2	7,76	80,0 x 20,5	100,0 x 42,0	STN-BLUE	LED / WHITE	NEGATIVE	8-Bit-MCU	-
DEM 16214 SYH-LY	16 x 2	7,76	80,0 x 20,5	100,0 x 42,0	STN-YELLOW/GREEN	LED / YELLOW/GREEN	POSITIVE	8-Bit-MCU	-
DEM 16214 SYH-LY-CYR22	16 x 2	7,76	80,0 x 20,5	100,0 x 42,0	STN-YELLOW/GREEN	LED / YELLOW/GREEN	POSITIVE	8-Bit-MCU	Cyrillic
DEM 16215 FGH-PW	16 x 2	9,55	99,0 x 24,0	122,0 x 44,0	FSTN	LED / WHITE	POSITIVE	8-Bit-MCU	-
DEM 16215 SBH-PW-N	16 x 2	9,55	99,0 x 24,0	122,0 x 44,0	STN-BLUE	LED / WHITE	NEGATIVE	8-Bit-MCU	-
DEM 16215 SYH-LY	16 x 2	9,55	99,0 x 24,0	122,0 x 44,0	STN-YELLOW/GREEN	LED / YELLOW/GREEN	POSITIVE	8-Bit-MCU	-
DEM 16215 SYH-LY-CYR22	16 x 2	9,55	99,0 x 24,0	122,0 x 44,0	STN-YELLOW/GREEN	LED / YELLOW/GREEN	POSITIVE	8-Bit-MCU	Cyrillic

other models upon request

ALPHANUMERIC DOT MATRIX MODULES

MODEL	DISPLAY FORMAT	CHARACTER HEIGHT	VIEWING AREA	MODULE SIZE	TECHNOLOGY	BACKLIGHT / COLOR	IMAGE (POS/NEG)	MPU INTERFACE	REMARKS
DEM 16216 FDH-LR-N	16 x 2	5,55	61,0 x 15,8	80,0 x 36,0	DARK-FSTN	LED / RED	NEGATIVE	8-Bit-MCU	-
DEM 16216 FDH-P(RGB)-N	16 x 2	5,55	61,0 x 15,8	80,0 x 36,0	DARK-FSTN	LED / RGB	NEGATIVE	8-Bit-MCU	-
DEM 16216 FGH-LA	16 x 2	5,55	61,0 x 15,8	80,0 x 36,0	FSTN	LED / AMBER	POSITIVE	8-Bit-MCU	-
DEM 16216 FGH-LA-N	16 x 2	5,55	61,0 x 15,8	80,0 x 36,0	FSTN	LED / AMBER	NEGATIVE	8-Bit-MCU	-
DEM 16216 FGH-LR	16 x 2	5,55	61,0 x 15,8	80,0 x 36,0	FSTN	LED / RED	POSITIVE	8-Bit-MCU	-
DEM 16216 FGH-P(RGB)	16 x 2	5,55	61,0 x 15,8	80,0 x 36,0	FSTN	LED / RGB	POSITIVE	8-Bit-MCU	-
DEM 16216 FGH-PB	16 x 2	5,55	61,0 x 15,8	80,0 x 36,0	FSTN	LED / BLUE	POSITIVE	8-Bit-MCU	-
DEM 16216 FGH-PB-N	16 x 2	5,55	61,0 x 15,8	80,0 x 36,0	FSTN	LED / BLUE	NEGATIVE	8-Bit-MCU	-
DEM 16216 FGH-PW	16 x 2	5,55	61,0 x 15,8	80,0 x 36,0	FSTN	LED / WHITE	POSITIVE	8-Bit-MCU	-
DEM 16216 SBH-PW-N	16 x 2	5,55	61,0 x 15,8	80,0 x 36,0	STN-BLUE	LED / WHITE	NEGATIVE	8-Bit-MCU	-
DEM 16216 SGH	16 x 2	5,55	61,0 x 15,8	80,0 x 36,0	STN-GREY	NO BACKLIGHT	POSITIVE	8-Bit-MCU	-
DEM 16216 SYH-LY	16 x 2	5,55	61,0 x 15,8	80,0 x 36,0	STN-YELLOW/GREEN	LED / YELLOW/GREEN	POSITIVE	8-Bit-MCU	-
DEM 16216 SYH-LY-CYR22	16 x 2	5,55	61,0 x 15,8	80,0 x 36,0	STN-YELLOW/GREEN	LED / YELLOW/GREEN	POSITIVE	8-Bit-MCU	Cyrillic
DEM 16216 SYH-PY	16 x 2	5,55	61,0 x 15,8	80,0 x 36,0	STN-YELLOW/GREEN	LED / YELLOW/GREEN	POSITIVE	8-Bit-MCU	-
DEM 16216 SYH-PY-CYR22	16 x 2	5,55	61,0 x 15,8	80,0 x 36,0	STN-YELLOW/GREEN	LED / YELLOW/GREEN	POSITIVE	8-Bit-MCU	Cyrillic
DEM 16217 FDH-LR-N	16 x 2	5,55	61,0 x 15,8	84,0 x 44,0	DARK-FSTN	LED / RED	NEGATIVE	8-Bit-MCU	-
DEM 16217 FDH-P(RGB)-N	16 x 2	5,55	61,0 x 15,8	84,0 x 44,0	DARK-FSTN	LED / RGB	NEGATIVE	8-Bit-MCU	-
DEM 16217 FGH-LA	16 x 2	5,55	61,0 x 15,8	84,0 x 44,0	FSTN	LED / AMBER	POSITIVE	8-Bit-MCU	-
DEM 16217 FGH-LA-N	16 x 2	5,55	61,0 x 15,8	84,0 x 44,0	FSTN	LED / AMBER	NEGATIVE	8-Bit-MCU	-
DEM 16217 FGH-LR	16 x 2	5,55	61,0 x 15,8	84,0 x 44,0	FSTN	LED / RED	POSITIVE	8-Bit-MCU	-
DEM 16217 FGH-P(RGB)	16 x 2	5,55	61,0 x 15,8	84,0 x 44,0	FSTN	LED / RGB	POSITIVE	8-Bit-MCU	-
DEM 16217 FGH-PB	16 x 2	5,55	61,0 x 15,8	84,0 x 44,0	FSTN	LED / BLUE	POSITIVE	8-Bit-MCU	-
DEM 16217 FGH-PB-N	16 x 2	5,55	61,0 x 15,8	84,0 x 44,0	FSTN	LED / BLUE	NEGATIVE	8-Bit-MCU	-
DEM 16217 FGH-PW	16 x 2	5,55	61,0 x 15,8	84,0 x 44,0	FSTN	LED / WHITE	POSITIVE	8-Bit-MCU	-
DEM 16217 SBH-PW-N	16 x 2	5,55	61,0 x 15,8	84,0 x 44,0	STN-BLUE	LED / WHITE	NEGATIVE	8-Bit-MCU	-
DEM 16217 SYH	16 x 2	5,55	61,0 x 15,8	84,0 x 44,0	STN-YELLOW/GREEN	LED / YELLOW/GREEN	POSITIVE	8-Bit-MCU	-
DEM 16217 SYH-LY	16 x 2	5,55	61,0 x 15,8	84,0 x 44,0	STN-YELLOW/GREEN	LED / YELLOW/GREEN	POSITIVE	8-Bit-MCU	-
DEM 16217 SYH-LY-CYR22	16 x 2	5,55	61,0 x 15,8	84,0 x 44,0	STN-YELLOW/GREEN	LED / YELLOW/GREEN	POSITIVE	8-Bit-MCU	Cyrillic
DEM 16217 SYH-PY	16 x 2	5,55	61,0 x 15,8	84,0 x 44,0	STN-YELLOW/GREEN	LED / YELLOW/GREEN	POSITIVE	8-Bit-MCU	-
DEM 16217 SYH-PY-CYR22	16 x 2	5,55	61,0 x 15,8	84,0 x 44,0	STN-YELLOW/GREEN	LED / YELLOW/GREEN	POSITIVE	8-Bit-MCU	Cyrillic
DEM 16218 SGH	16 x 2	5,55	50,0 x 16,0	55,0 x 24,5	STN-GREY	NO BACKLIGHT	POSITIVE	8-Bit-MCU	-
DEM 16219 SYH-PY	16 x 2	5,55	61,0 x 15,8	85,0 x 32,5	STN-YELLOW/GREEN	LED / YELLOW/GREEN	POSITIVE	8-Bit-MCU	-
DEM 16220 SYH-PY	16 x 2	5,55	61,0 x 15,8	80,0 x 36,0	STN-YELLOW/GREEN	LED / YELLOW/GREEN	POSITIVE	8-Bit-MCU	-
DEM 16221 FGH-PW	16 x 2	3,80	43,0 x 12,0	49,0 x 20,5	FSTN	LED / WHITE	POSITIVE	8-Bit-MCU	-
DEM 16221 SBH-PW-N	16 x 2	3,80	43,0 x 12,0	49,0 x 20,5	STN-BLUE	LED / WHITE	NEGATIVE	8-Bit-MCU	-
DEM 16221 SYH (FFCF)	16 x 2	3,80	43,0 x 12,0	47,0 x 18,5	STN-YELLOW/GREEN	NO BACKLIGHT	POSITIVE	8-Bit-MCU	-
DEM 16221 SYH (solder)	16 x 2	3,80	43,0 x 12,0	47,0 x 18,5	STN-YELLOW/GREEN	NO BACKLIGHT	POSITIVE	8-Bit-MCU	-
DEM 16221 SYH-PY	16 x 2	3,80	43,0 x 12,0	49,0 x 20,5	STN-YELLOW/GREEN	LED / YELLOW/GREEN	POSITIVE	8-Bit-MCU	-
DEM 16222 SYH	16 x 2	5,55	61,0 x 15,8	84,0 x 44,0	STN-YELLOW/GREEN	NO BACKLIGHT	POSITIVE	8-Bit-MCU	-
DEM 16222 SYH-LY	16 x 2	5,55	61,0 x 15,8	84,0 x 44,0	STN-YELLOW/GREEN	LED / YELLOW/GREEN	POSITIVE	8-Bit-MCU	-
DEM 16222 SYH-PY	16 x 2	5,55	61,0 x 15,8	84,0 x 44,0	STN-YELLOW/GREEN	LED / YELLOW/GREEN	POSITIVE	8-Bit-MCU	-
DEM 16223 FGH-PW	16 x 2	3,15	36,0 x 10,0	53,0 x 20,0	FSTN	LED / WHITE	POSITIVE	8-Bit-MCU	-
DEM 16223 SBH-PW-N	16 x 2	3,15	36,0 x 10,0	53,0 x 20,0	STN-BLUE	LED / WHITE	NEGATIVE	8-Bit-MCU	-
DEM 16223 SYH	16 x 2	3,15	36,0 x 10,0	53,0 x 20,0	STN-YELLOW/GREEN	NO BACKLIGHT	POSITIVE	8-Bit-MCU	-
DEM 16223 SYH-PY	16 x 2	3,15	36,0 x 10,0	53,0 x 20,0	STN-YELLOW/GREEN	LED / YELLOW/GREEN	POSITIVE	8-Bit-MCU	-
DEM 16224 SYH	16 x 2	5,55	61,0 x 15,9	66,6 x 23,3	STN-YELLOW/GREEN	NO BACKLIGHT	POSITIVE	8-Bit-MCU	-
DEM 16226 SYH-LY	16 x 2	4,67	51,8 x 14,8	65,5 x 36,7	STN-YELLOW/GREEN	LED / YELLOW/GREEN	POSITIVE	8-Bit-MCU	-
DEM 16227 FGH-PW	16 x 2	4,35	65,0 x 17,2	85,0 x 30,0	FSTN	LED / WHITE	POSITIVE	8-Bit-MCU	-
DEM 16227 SBH-PW-N	16 x 2	4,35	65,0 x 17,2	85,0 x 30,0	STN-BLUE	LED / WHITE	NEGATIVE	8-Bit-MCU	-
DEM 16227 SYH-LY	16 x 2	4,35	65,0 x 17,2	85,0 x 30,0	STN-YELLOW/GREEN	LED / YELLOW/GREEN	POSITIVE	8-Bit-MCU	-
DEM 16228 FGH-PW	16 x 2	8,12	59,0 x 23,0	67,0 x 32,9	FSTN	LED / WHITE	POSITIVE	8-Bit-MCU	-
DEM 16228 SBH-PW-N	16 x 2	8,12	59,0 x 23,0	67,0 x 32,9	STN-BLUE	LED / WHITE	NEGATIVE	8-Bit-MCU	-
DEM 16229 FGH-PW	16 x 2	5,55	61,0 x 15,1	74,2 x 25,2	FSTN	LED / WHITE	POSITIVE	I2C	-
DEM 16229 SBH-PW-N	16 x 2	5,55	61,0 x 15,1	74,2 x 25,2	STN-BLUE	LED / WHITE	NEGATIVE	I2C	-
DEM 16230 FGH-PW	16 x 2	5,55	61,0 x 15,1	72,1 x 29,6	FSTN	LED / WHITE	POSITIVE	8-Bit-MCU	-
DEM 16230 SBH-PW-N	16 x 2	5,55	61,0 x 15,1	72,1 x 29,6	STN-BLUE	LED / WHITE	NEGATIVE	8-Bit-MCU	-
DEM 16231 FGH-PW	16 x 2	7,69	76,0 x 18,0	85,0 x 30,0	FSTN	LED / WHITE	POSITIVE	I2C	-
DEM 16231 SBH-PW-N	16 x 2	7,69	76,0 x 18,0	85,0 x 30,0	STN-BLUE	LED / WHITE	NEGATIVE	I2C	-
DEM 16481 FGH-PW	16 x 4	4,75	61,8 x 25,2	87,0 x 60,0	FSTN	LED / WHITE	POSITIVE	8-Bit-MCU	-
DEM 16481 SBH-PW-N	16 x 4	4,75	61,8 x 25,2	87,0 x 60,0	STN-BLUE	LED / WHITE	NEGATIVE	8-Bit-MCU	-
DEM 16481 SYH-LY	16 x 4	4,75	61,8 x 25,2	87,0 x 60,0	STN-YELLOW/GREEN	LED / YELLOW/GREEN	POSITIVE	8-Bit-MCU	-
DEM 16481 SYH-LY-CYR22	16 x 4	4,75	61,8 x 25,2	87,0 x 60,0	STN-YELLOW/GREEN	LED / YELLOW/GREEN	POSITIVE	8-Bit-MCU	Cyrillic
DEM 20121 SY-LY	20 x 1	11,50	155,1 x 16,0	182,0 x 33,5	STN-YELLOW/GREEN	LED / YELLOW/GREEN	POSITIVE	8-Bit-MCU	-
DEM 20121 SYH-LY	20 x 1	11,50	155,1 x 16,0	182,0 x 33,5	STN-YELLOW/GREEN	LED / YELLOW/GREEN	POSITIVE	8-Bit-MCU	-

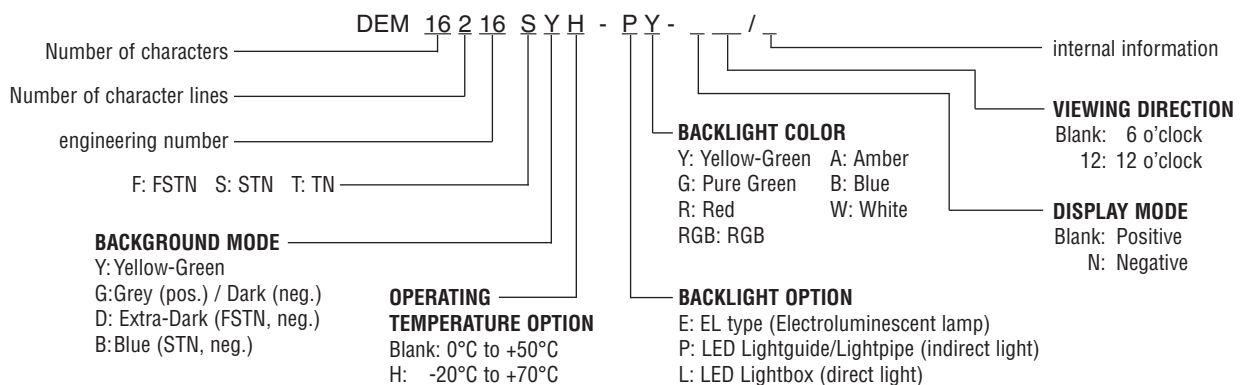
other models upon request

ALPHANUMERIC DOT MATRIX MODULES

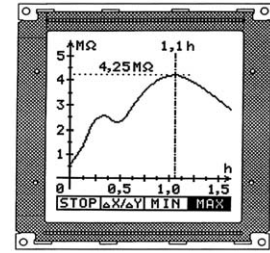
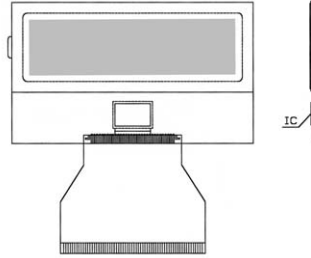
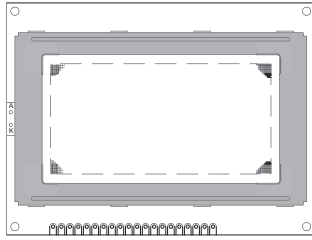
MODEL	DISPLAY FORMAT	CHARACTER HEIGHT	VIEWING AREA	MODULE SIZE	TECHNOLOGY	BACKLIGHT / COLOR	IMAGE (POS/NEG)	MPU INTERFACE	REMARKS
DEM 20230 SGH	20 x 2	5,55	77,0 x 16,5	81,0 x 28,3	STN-GREY	NO BACKLIGHT	POSITIVE	8-Bit-MCU	-
DEM 20230 FGH-PW	20 x 2	5,55	77,0 x 16,5	85,0 x 28,3	FSTN	LED / WHITE	POSITIVE	8-Bit-MCU	-
DEM 20230 SBH-PW-N	20 x 2	5,55	77,0 x 16,5	85,0 x 28,3	STN-BLUE	LED / WHITE	NEGATIVE	8-Bit-MCU	-
DEM 20230 SYH-PY	20 x 2	5,55	77,0 x 16,5	85,0 x 28,3	STN-YELLOW/GREEN	LED / YELLOW/GREEN	POSITIVE	8-Bit-MCU	-
DEM 20231 FGH-PW	20 x 2	5,55	83,0 x 18,6	116,0 x 37,0	FSTN	LED / WHITE	POSITIVE	8-Bit-MCU	-
DEM 20231 SBH-PW-N	20 x 2	5,55	83,0 x 18,6	116,0 x 37,0	STN-BLUE	LED / WHITE	NEGATIVE	8-Bit-MCU	-
DEM 20231 SYH-PY	20 x 2	5,55	83,0 x 18,6	116,0 x 37,0	STN-YELLOW/GREEN	LED / YELLOW/GREEN	POSITIVE	8-Bit-MCU	-
DEM 20231 SYH-PY-CYR22	20 x 2	5,55	83,0 x 18,6	116,0 x 37,0	STN-YELLOW/GREEN	LED / YELLOW/GREEN	POSITIVE	8-Bit-MCU	Cyrillic
DEM 20232 FGH-PW	20 x 2	8,30	123,2 x 23,0	146,0 x 43,0	FSTN	LED / WHITE	POSITIVE	8-Bit-MCU	-
DEM 20232 SBH-PW-N	20 x 2	8,30	123,2 x 23,0	146,0 x 43,0	STN-BLUE	LED / WHITE	NEGATIVE	8-Bit-MCU	-
DEM 20232 SYH-LY	20 x 2	8,30	123,2 x 23,0	146,0 x 43,0	STN-YELLOW/GREEN	LED / YELLOW/GREEN	POSITIVE	8-Bit-MCU	-
DEM 20232 SYH-LY-CYR22	20 x 2	8,30	123,2 x 23,0	146,0 x 43,0	STN-YELLOW/GREEN	LED / YELLOW/GREEN	POSITIVE	8-Bit-MCU	Cyrillic
DEM 20233 SYH-LY	20 x 2	9,66	149,0 x 23,0	180,0 x 40,0	STN-YELLOW/GREEN	LED / YELLOW/GREEN	POSITIVE	8-Bit-MCU	-
DEM 20235 FGH-PW	20 x 2	4,67	61,0 x 15,1	74,2 x 25,2	FSTN	LED / WHITE	POSITIVE	I2C	-
DEM 20235 SBH-PW-N	20 x 2	4,67	61,0 x 15,1	74,2 x 25,2	STN-BLUE	LED / WHITE	NEGATIVE	I2C	-
DEM 20485 FGH-PW	20 x 4	4,75	76,3 x 25,0	98,0 x 60,0	FSTN	LED / WHITE	POSITIVE	8-Bit-MCU	-
DEM 20485 SBH-PW-N	20 x 4	4,75	76,3 x 25,0	98,0 x 60,0	STN-BLUE	LED / WHITE	NEGATIVE	8-Bit-MCU	-
DEM 20485 SYH	20 x 4	4,75	76,3 x 25,0	98,0 x 60,0	STN-YELLOW/GREEN	NO BACKLIGHT	POSITIVE	8-Bit-MCU	-
DEM 20485 SYH-LY	20 x 4	4,75	76,3 x 25,0	98,0 x 60,0	STN-YELLOW/GREEN	LED / YELLOW/GREEN	POSITIVE	8-Bit-MCU	-
DEM 20485 SYH-LY-CYR22	20 x 4	4,75	76,3 x 25,0	98,0 x 60,0	STN-YELLOW/GREEN	LED / YELLOW/GREEN	POSITIVE	8-Bit-MCU	Cyrillic
DEM 20486 FGH-PW	20 x 4	6,35	85,0 x 30,5	98,0 x 60,0	FSTN	LED / WHITE	POSITIVE	8-Bit-MCU	-
DEM 20486 SBH-PW-N	20 x 4	6,35	85,0 x 30,5	98,0 x 60,0	STN-BLUE	LED / WHITE	NEGATIVE	8-Bit-MCU	-
DEM 20486 SYH-LY	20 x 4	6,35	85,0 x 30,5	98,0 x 60,0	STN-YELLOW/GREEN	LED / YELLOW/GREEN	POSITIVE	8-Bit-MCU	-
DEM 20486 SYH-LY-CYR22	20 x 4	6,35	85,0 x 30,5	98,0 x 60,0	STN-YELLOW/GREEN	LED / YELLOW/GREEN	POSITIVE	8-Bit-MCU	Cyrillic
DEM 20487 FGH-PW	20 x 4	9,23	123,0 x 42,5	146,0 x 62,5	FSTN	LED / WHITE	POSITIVE	8-Bit-MCU	-
DEM 20487 SBH-PW-N	20 x 4	9,23	123,0 x 42,5	146,0 x 62,5	STN-BLUE	LED / WHITE	NEGATIVE	8-Bit-MCU	-
DEM 20487 SYH-LY	20 x 4	9,23	123,0 x 42,5	146,0 x 62,5	STN-YELLOW/GREEN	LED / YELLOW/GREEN	POSITIVE	8-Bit-MCU	-
DEM 20487 SYH-LY-CYR22	20 x 4	9,23	123,0 x 42,5	146,0 x 62,5	STN-YELLOW/GREEN	LED / YELLOW/GREEN	POSITIVE	8-Bit-MCU	Cyrillic
DEM 20488 FGH-PW	20 x 4	4,03	60,0 x 22,0	77,0 x 47,0	FSTN	LED / WHITE	POSITIVE	8-Bit-MCU	-
DEM 20488 SBH-PW-N	20 x 4	4,03	60,0 x 22,0	77,0 x 47,0	STN-BLUE	LED / WHITE	NEGATIVE	8-Bit-MCU	-
DEM 20488 SYH-PY	20 x 4	4,03	60,0 x 22,0	77,0 x 47,0	STN-YELLOW/GREEN	LED / YELLOW/GREEN	POSITIVE	8-Bit-MCU	-
DEM 20489 FGH-PW	20 x 4	4,67	60,5 x 22,2	74,3 x 36,4	FSTN	LED / WHITE	POSITIVE	I2C	-
DEM 20489 SBH-PW-N	20 x 4	4,67	60,5 x 22,2	74,3 x 36,4	STN-BLUE	LED / WHITE	NEGATIVE	I2C	-
DEM 24251 SYH-PY	24 x 2	5,55	83,0 x 18,6	116,0 x 37,0	STN-YELLOW/GREEN	LED / YELLOW/GREEN	POSITIVE	8-Bit-MCU	-
DEM 24252 SYH-LY	24 x 2	6,35	94,4 x 18,2	118,0 x 36,0	STN-YELLOW/GREEN	LED / YELLOW/GREEN	POSITIVE	8-Bit-MCU	-
DEM 24253 FGH-PW	24 x 2	4,67	72,3 x 11,8	86,2 x 24,7	FSTN	LED / WHITE	POSITIVE	SPI	-
DEM 24253 SBH-PW-N	24 x 2	4,67	72,3 x 11,8	86,2 x 24,7	STN-BLUE	LED / WHITE	NEGATIVE	SPI	-
DEM 40271 FGH-PW	40 x 2	5,69	155,1 x 16,0	182,0 x 33,5	FSTN	LED / WHITE	POSITIVE	8-Bit-MCU	-
DEM 40271 FGX	40 x 2	5,69	155,1 x 16,0	182,0 x 33,5	FSTN	NO BACKLIGHT	POSITIVE	8-Bit-MCU	-
DEM 40271 SBH-PW-N	40 x 2	5,69	155,1 x 16,0	182,0 x 33,5	STN-BLUE	LED / WHITE	NEGATIVE	8-Bit-MCU	-
DEM 40271 SYH-LY	40 x 2	5,69	155,1 x 16,0	182,0 x 33,5	STN-YELLOW/GREEN	LED / YELLOW/GREEN	POSITIVE	8-Bit-MCU	-
DEM 40271 SYH-LY-CYR22	40 x 2	5,69	155,1 x 16,0	182,0 x 33,5	STN-YELLOW/GREEN	LED / YELLOW/GREEN	POSITIVE	8-Bit-MCU	Cyrillic
DEM 40491 FGH-PW	40 x 4	4,89	143,8 x 26,7	190,0 x 54,0	FSTN	LED / WHITE	POSITIVE	8-Bit-MCU	-
DEM 40491 SBH-PW-N	40 x 4	4,89	143,8 x 26,7	190,0 x 54,0	STN-BLUE	LED / WHITE	NEGATIVE	8-Bit-MCU	-
DEM 40491 SYH-LY	40 x 4	4,89	143,8 x 26,7	190,0 x 54,0	STN-YELLOW/GREEN	LED / YELLOW/GREEN	POSITIVE	8-Bit-MCU	-
DEM 40492 SYH-PY	40 x 4	8,48	253,8 x 56,6	288,3 x 77,5	STN-YELLOW/GREEN	LED / YELLOW/GREEN	POSITIVE	8-Bit-MCU	-

other models upon request

ORDERING INFORMATION ALPHANUMERIC DOT MATRIX MODULES



GRAPHIC MONOCHROME



MODEL	DISPLAY FORMAT	SIZE	DOT SIZES	VIEWING AREA	MODULE SIZE	TECHNOLOGY	BACKLIGHT / COLOR	MPU INTERFACE	IC
DEM 097032B SGH-PY	97 x 32	1,9"	0,35 x 0,34	43,5 x 21,5	49,7 x 31,3	STN-SILVERGREY	LED / Yellow/Green	8-Bit-MCU	NT7534H
DEM 120064B FGH	120 x 64	1,9"	0,33 x 0,33	51,0 x 26,0	55,0 x 40,0	FSTN	No Backlight	8-Bit-MCU; SPI	ST7565V
DEM 120064B FGH-PW	120 x 64	1,9"	0,33 x 0,33	51,0 x 26,0	55,0 x 42,0	FSTN	LED / White	8-Bit-MCU; SPI	ST7565V
DEM 120064B SBH-PW-N	120 x 64	1,9"	0,33 x 0,33	51,0 x 26,0	55,0 x 42,0	STN-BLUE	LED / White	8-Bit-MCU; SPI	ST7565V
DEM 122032A SYH-LY	122 x 32	2,2"	0,40 x 0,45	60,5 x 18,5	80,0 x 36,0	STN-YELLOW/GREEN	LED / Yellow/Green	8-Bit-MCU	PT6520
DEM 122032B SYH-LY	122 x 32	2,2"	0,40 x 0,45	61,0 x 19,5	84,0 x 44,0	STN-YELLOW/GREEN	LED / Yellow/Green	8-Bit-MCU	PT6520
DEM 122032C FGH-PW-12	122 x 32	2,3"	0,43 x 0,52	59,0 x 23,0	67,0 x 32,9	FSTN	LED / White	8-Bit-MCU	PT6520
DEM 122032C SBH-PW-N-12	122 x 32	2,3"	0,43 x 0,52	59,0 x 23,0	67,0 x 32,9	STN-BLUE	LED / White	8-Bit-MCU	PT6520
DEM 128032A FGH	128 x 32	2,1"	0,37 x 0,37	54,8 x 16,6	57,8 x 27,8	FSTN	No Backlight	8-Bit-MCU; SPI	ST7565R
DEM 128032A FGH-PW	128 x 32	2,1"	0,37 x 0,37	54,8 x 16,6	60,0 x 30,0	FSTN	LED / White	8-Bit-MCU; SPI	ST7565R
DEM 128032A SBH-PW-N	128 x 32	2,1"	0,37 x 0,37	54,8 x 16,6	60,0 x 30,0	STN-BLUE	LED / White	8-Bit-MCU; SPI	ST7565R
DEM 128044A ADX-PW-N	128 x 44	1,2"	0,20 x 0,20	31,0 x 11,8	40,0 x 17,2	ASTN	LED / White	SPI	ST7565P
DEM 128048A FGH-PW	128 x 48	1,2"	0,21 x 0,21	31,0 x 12,3	40,0 x 17,1	FSTN	LED / White	SPI	ST7539
DEM 128048A SBH-PW-N	128 x 48	1,2"	0,21 x 0,21	31,0 x 12,3	40,0 x 17,1	STN-BLUE	LED / White	SPI	ST7539
DEM 128064A FGH-P(RGB)	128 x 64	2,9"	0,48 x 0,48	71,7 x 39,0	93,0 x 70,0	FSTN	LED / RGB	8-Bit-MCU	SBN6400G
DEM 128064A FGH-P(RGB)(A-TOUCH)	128 x 64	2,9"	0,48 x 0,48	71,7 x 39,0	93,0 x 70,0	FSTN	LED / RGB	8-Bit-MCU	SBN6400G
DEM 128064A FGH-PW	128 x 64	2,9"	0,48 x 0,48	71,7 x 39,0	93,0 x 70,0	FSTN	LED / White	8-Bit-MCU	SBN6400G
DEM 128064A FGH-PW (A-TOUCH)	128 x 64	2,9"	0,48 x 0,48	71,7 x 39,0	93,0 x 70,0	FSTN	LED / White	8-Bit-MCU	SBN6400G
DEM 128064A SBH-PW-N	128 x 64	2,9"	0,48 x 0,48	71,7 x 39,0	93,0 x 70,0	STN-BLUE	LED / White	8-Bit-MCU	SBN6400G
DEM 128064A SBH-PW-N (A-TOUCH)	128 x 64	2,9"	0,48 x 0,48	71,7 x 39,0	93,0 x 70,0	STN-BLUE	LED / White	8-Bit-MCU	SBN6400G
DEM 128064A SYH-LY	128 x 64	2,9"	0,48 x 0,48	71,7 x 39,0	93,0 x 70,0	STN-YELLOW/GREEN	LED / Yellow/Green	8-Bit-MCU	SBN6400G
DEM 128064A SYH-LY (A-TOUCH)	128 x 64	2,9"	0,48 x 0,48	71,7 x 39,0	93,0 x 70,0	STN-YELLOW/GREEN	LED / Yellow/Green	8-Bit-MCU	SBN6400G
DEM 128064B FGH-PW	128 x 64	2,4"	0,40 x 0,40	60,0 x 32,6	75,0 x 52,7	FSTN	LED / White	8-Bit-MCU	SBN6400G
DEM 128064B SBH-PW-N	128 x 64	2,4"	0,40 x 0,40	60,0 x 32,6	75,0 x 52,7	STN-BLUE	LED / White	8-Bit-MCU	SBN6400G
DEM 128064B SYH	128 x 64	2,4"	0,40 x 0,40	60,0 x 32,6	75,0 x 52,7	STN-YELLOW/GREEN	No Backlight	8-Bit-MCU	SBN6400G
DEM 128064B SYH-PY	128 x 64	2,4"	0,40 x 0,40	60,0 x 32,6	75,0 x 52,7	STN-YELLOW/GREEN	LED / Yellow/Green	8-Bit-MCU	SBN6400G
DEM 128064C ADX-PW-N	128 x 64	1,2"	0,18 x 0,23	29,6 x 18,0	38,0 x 26,4	ASTN	LED / White	8-Bit-MCU; SPI	ST7565P
DEM 128064C1 FGH-PW	128 x 64	1,2"	0,18 x 0,22	29,6 x 16,2	38,0 x 26,4	FSTN	LED / White	8-Bit-MCU; SPI	ST7565P
DEM 128064C SBH-PW-N	128 x 64	1,2"	0,18 x 0,23	29,6 x 18,0	38,0 x 26,4	STN-BLUE	LED / White	8-Bit-MCU; SPI	ST7565P
DEM 128064D FGH-EG	128 x 64	2,0"	0,28 x 0,35	44,5 x 30,0	54,0 x 50,0	FSTN	EL / Green	8-Bit-MCU	SBN6400G
DEM 128064E FGH-PW	128 x 64	2,9"	0,48 x 0,48	71,7 x 38,8	93,0 x 70,0	FSTN	LED / White	SPI	ST7565R
DEM 128064E SBH-PW-N	128 x 64	2,9"	0,48 x 0,48	71,7 x 38,8	93,0 x 70,0	STN-BLUE	LED / White	SPI	ST7565R
DEM 128064E SYH-PY	128 x 64	2,9"	0,48 x 0,48	71,7 x 38,8	93,0 x 70,0	STN-YELLOW/GREEN	LED / Yellow/Green	SPI	ST7565R
DEM 128064F ADX-PW-N	128 x 64	2,4"	0,40 x 0,40	60,6 x 33,1	68,8 x 49,2	ASTN	LED / White	8-Bit-MCU; SPI	ST7565R
DEM 128064F FGH	128 x 64	2,4"	0,40 x 0,40	60,6 x 33,1	66,6 x 47,0	FSTN	No Backlight	8-Bit-MCU; SPI	ST7565R
DEM 128064F FGH-P(RGB)	128 x 64	2,4"	0,40 x 0,40	60,6 x 33,1	68,8 x 49,2	FSTN	LED / RGB	8-Bit-MCU; SPI	ST7565R
DEM 128064F FGH-PW	128 x 64	2,4"	0,40 x 0,40	60,6 x 33,1	68,8 x 49,2	FSTN	LED / White	8-Bit-MCU; SPI	ST7565R
DEM 128064F SBH-PW-N	128 x 64	2,4"	0,40 x 0,40	60,6 x 33,1	68,8 x 49,2	STN-BLUE	LED / White	8-Bit-MCU; SPI	ST7565R
DEM 128064G ADX-PW-N	128 x 64	1,5"	0,26 x 0,26	37,0 x 20,2	45,2 x 29,1	ASTN	LED / White	8-Bit-MCU; SPI	NT7534H
DEM 128064G FGH	128 x 64	1,5"	0,26 x 0,26	37,0 x 20,2	43,2 x 29,1	FSTN	No Backlight	8-Bit-MCU; SPI	NT7534H
DEM 128064G FGH-P(RGB)	128 x 64	1,5"	0,26 x 0,26	37,0 x 20,2	45,2 x 29,1	FSTN	LED / RGB	8-Bit-MCU; SPI	NT7534H
DEM 128064G FGH-PW	128 x 64	1,5"	0,26 x 0,26	37,0 x 20,2	45,2 x 29,1	FSTN	LED / White	8-Bit-MCU; SPI	NT7534H
DEM 128064G SBH-PW-N	128 x 64	1,5"	0,26 x 0,26	37,0 x 20,2	45,2 x 29,1	STN-BLUE	LED / White	8-Bit-MCU; SPI	NT7534H
DEM 128064H FGH-PW	128 x 64	2,7"	0,39 x 0,55	62,0 x 44,0	78,0 x 70,0	FSTN	LED / White	8-Bit-MCU	T6963C
DEM 128064H SBH-PW-N	128 x 64	2,7"	0,39 x 0,55	62,0 x 44,0	78,0 x 70,0	STN-BLUE	LED / White	8-Bit-MCU	T6963C
DEM 128064H1 SYH-PY	128 x 64	2,7"	0,39 x 0,55	62,0 x 44,0	78,0 x 70,0	STN-YELLOW/GREEN	LED / Yellow/Green	8-Bit-MCU	UCI6963
DEM 128064I ADX-PW-N	128 x 64	1,9"	0,30 x 0,36	45,2 x 27,0	55,2 x 39,8	ASTN	LED / White	8-Bit-MCU; SPI	ST7565P
DEM 128064I FGH	128 x 64	1,9"	0,30 x 0,36	45,2 x 27,0	53,2 x 37,8	FSTN	No Backlight	8-Bit-MCU; SPI	ST7565P
DEM 128064I FGH-P(RGB)	128 x 64	1,9"	0,30 x 0,36	45,2 x 27,0	55,2 x 39,8	FSTN	LED / RGB	8-Bit-MCU; SPI	ST7565P
DEM 128064I FGH-PW	128 x 64	1,9"	0,30 x 0,36	45,2 x 27,0	55,2 x 39,8	FSTN	LED / White	8-Bit-MCU; SPI	ST7565P
DEM 128064I SBH-PW-N	128 x 64	1,9"	0,30 x 0,36	45,2 x 27,0	55,2 x 39,8	STN-BLUE	LED / White	8-Bit-MCU; SPI	ST7565P

other models upon request

GRAPHIC MONOCHROME

MODEL	DISPLAY FORMAT	SIZE	DOT SIZES	VIEWING AREA	MODULE SIZE	TECHNOLOGY	BACKLIGHT / COLOR	MPU INTERFACE	IC
DEM 128064J ADX-PW-N	128 x 64	2,9"	0,48 x 0,48	70,7 x 38,8	80,0 x 54,0	ASTN	LED / White	8-Bit-MCU; SPI	ST7565P
DEM 128064J FGH	128 x 64	2,9"	0,48 x 0,48	70,7 x 38,8	76,1 x 50,6	FSTN	No Backlight	8-Bit-MCU; SPI	ST7565P
DEM 128064J FGH-P(RGB)	128 x 64	2,9"	0,48 x 0,48	70,7 x 38,8	80,0 x 54,0	FSTN	LED / RGB	8-Bit-MCU; SPI	ST7565P
DEM 128064J FGH-PW	128 x 64	2,9"	0,48 x 0,48	70,7 x 38,8	80,0 x 54,0	FSTN	LED / White	8-Bit-MCU; SPI	ST7565P
DEM 128064J SBH-PW-N	128 x 64	2,9"	0,48 x 0,48	70,7 x 38,8	80,0 x 54,0	STN-BLUE	LED / White	8-Bit-MCU; SPI	ST7565P
DEM 128064K FGH-PW	128 x 64	2,7"	0,45 x 0,49	65,5 x 38,0	77,3 x 51,7	FSTN	LED / White	8-Bit-MCU; SPI	ST7565R
DEM 128064K SBH-PW-N	128 x 64	2,7"	0,45 x 0,49	65,5 x 38,0	77,3 x 51,7	STN-BLUE	LED / White	8-Bit-MCU; SPI	ST7565R
DEM 128064L FGH-PW	128 x 64	1,7"	0,25 x 0,33	37,0 x 28,0	45,0 x 40,0	FSTN	LED / White	8-Bit-MCU; SPI	ST7565R
DEM 128064L SBH-PW-N	128 x 64	1,7"	0,25 x 0,33	37,0 x 28,0	45,0 x 40,0	STN-BLUE	LED / White	8-Bit-MCU; SPI	ST7565R
DEM 128064N FGH-PW	128 x 64	1,7"	0,28 x 0,28	41,0 x 22,0	52,2 x 32,7	FSTN	LED / White	8-Bit-MCU; SPI	ST7565R
DEM 128064N SBH-PW-N	128 x 64	1,7"	0,28 x 0,28	41,0 x 22,0	52,2 x 32,7	STN-BLUE	LED / White	8-Bit-MCU; SPI	ST7565R
DEM 128064O ADX-PW-N	128 x 64	2,0"	0,34 x 0,34	50,0 x 25,0	58,2 x 41,7	ASTN	LED / White	8-Bit-MCU; SPI	ST7565R
DEM 128064O FGH	128 x 64	2,0"	0,34 x 0,34	50,0 x 25,0	56,0 x 39,0	FSTN	No Backlight	8-Bit-MCU; SPI	ST7565R
DEM 128064O FGH-PW	128 x 64	2,0"	0,34 x 0,34	50,0 x 25,0	58,2 x 41,7	FSTN	LED / White	8-Bit-MCU; SPI	ST7565R
DEM 128064O SBH-PW-N	128 x 64	2,0"	0,34 x 0,34	50,0 x 25,0	58,2 x 41,7	STN-BLUE	LED / White	8-Bit-MCU; SPI	ST7565R
DEM 128064P FGH-PW	128 x 64	1,3"	0,20 x 0,23	31,4 x 20,3	37,0 x 30,3	FSTN	LED / White	8-Bit-MCU; SPI	ST7567G
DEM 128064P SBH-PW-N	128 x 64	1,3"	0,20 x 0,23	31,4 x 20,3	37,0 x 30,3	STN-BLUE	LED / White	8-Bit-MCU; SPI	ST7567G
DEM 128064Q FGH	128 x 64	2,1"	0,33 x 0,40	50,6 x 31,0	54,6 x 44,2	FSTN	No Backlight	8-Bit-MCU; SPI	UC1601
DEM 128064Q FGH-PW	128 x 64	2,1"	0,33 x 0,40	50,6 x 31,0	56,6 x 44,2	FSTN	LED / White	8-Bit-MCU; SPI	UC1601
DEM 128064Q SBH-PW-N	128 x 64	2,1"	0,33 x 0,40	50,6 x 31,0	56,6 x 44,2	STN-BLUE	LED / White	8-Bit-MCU; SPI	UC1601
DEM 128064Q SYH-PY	128 x 64	2,1"	0,33 x 0,40	50,6 x 31,0	56,6 x 44,2	STN-YELLOW/GREEN	LED / Yellow/Green	8-Bit-MCU; SPI	UC1601
DEM 128064T FGH	128 x 64	2,1"	0,34 x 0,34	51,0 x 28,5	55,0 x 40,5	FSTN	No Backlight	8-Bit-MCU; SPI	ST7565R
DEM 128064T FGH-PW	128 x 64	2,1"	0,34 x 0,34	51,0 x 28,5	56,6 x 44,2	FSTN	LED / White	8-Bit-MCU; SPI	ST7565R
DEM 128064T SBH-PW-N	128 x 64	2,1"	0,34 x 0,34	51,0 x 28,5	56,6 x 44,2	STN-BLUE	LED / White	8-Bit-MCU; SPI	ST7565R
DEM 128064T SYH-PY	128 x 64	2,1"	0,34 x 0,34	51,0 x 28,5	56,6 x 44,2	STN-YELLOW/GREEN	LED / Yellow/Green	8-Bit-MCU; SPI	ST7565R
DEM 128128A1 SYH-LY	128 x 128	3,6"	0,48 x 0,48	69,0 x 69,0	88,4 x 88,4	STN-YELLOW/GREEN	LED / Yellow/Green	8-Bit-MCU	UCi6963
DEM 128128B1 FGH-PW	128 x 128	3,9"	0,50 x 0,50	73,0 x 73,0	92,0 x 106,0	FSTN	LED / White	8-Bit-MCU	UCi6963
DEM 128128B FGH-PW (A-TOUCH)	128 x 128	3,9"	0,50 x 0,50	73,0 x 73,0	92,0 x 106,0	FSTN	LED / White	8-Bit-MCU	T6963C
DEM 128128B FGH-PW (D-TOUCH)	128 x 128	3,9"	0,50 x 0,50	73,0 x 73,0	92,0 x 106,0	FSTN	LED / White	8-Bit-MCU	T6963C
DEM 128128B1 SBH-PW-N	128 x 128	3,9"	0,50 x 0,50	73,0 x 73,0	92,0 x 106,0	STN-BLUE	LED / White	8-Bit-MCU	UCi6963
DEM 128128B SBH-PW-N (A-TOUCH)	128 x 128	3,9"	0,50 x 0,50	73,0 x 73,0	92,0 x 106,0	STN-BLUE	LED / White	8-Bit-MCU	T6963C
DEM 128128B SBH-PW-N (D-TOUCH)	128 x 128	3,9"	0,50 x 0,50	73,0 x 73,0	92,0 x 106,0	STN-BLUE	LED / White	8-Bit-MCU	T6963C
DEM 128128C FGH	128 x 128	2,1"	0,28 x 0,28	44,0 x 40,5	48,0 x 52,8	FSTN	No Backlight	8-Bit-MCU; SPI; I2C	UC1617
DEM 128128C FGH-PW	128 x 128	2,1"	0,28 x 0,28	44,0 x 40,5	48,0 x 52,8	FSTN	LED / White	8-Bit-MCU; SPI; I2C	UC1617
DEM 128128C SBH-PW-N	128 x 128	2,1"	0,28 x 0,28	44,0 x 40,5	48,0 x 52,8	STN-BLUE	LED / White	8-Bit-MCU; SPI; I2C	UC1617
DEM 128128D FGH	128 x 128	3,2"	0,43 x 0,44	66,0 x 62,5	69,0 x 74,8	FSTN	No Backlight	8-Bit-MCU; SPI; I2C	UC1617
DEM 128128D FGH-PW	128 x 128	3,2"	0,43 x 0,44	66,0 x 62,5	69,0 x 74,8	FSTN	LED / White	8-Bit-MCU; SPI; I2C	UC1617
DEM 128128D SBH-PW-N	128 x 128	3,2"	0,43 x 0,44	66,0 x 62,5	69,0 x 74,8	STN-BLUE	LED / White	8-Bit-MCU; SPI; I2C	UC1617
DEM 132038A FGH-PW	132 x 38	3,5"	0,60 x 0,57	91,5 x 26,5	104,0 x 37,5	FSTN	LED / White	8-Bit-MCU	ST7565P
DEM 132038A SBH-PW-N	132 x 38	3,5"	0,60 x 0,57	91,5 x 26,5	104,0 x 37,5	STN-BLUE	LED / White	8-Bit-MCU	ST7565P
DEM 160080A SYH	160 x 80	3,2"	0,41 x 0,41	76,0 x 40,0	108,5 x 56,0	STN-YELLOW/GREEN	No Backlight	8-Bit-MCU	LC7981
DEM 160080A SYH-LY	160 x 80	3,2"	0,41 x 0,41	76,0 x 40,0	108,5 x 56,0	STN-YELLOW/GREEN	LED / Yellow/Green	8-Bit-MCU	LC7981
DEM 160160A SBH-PW-N	160 x 160	3,1"	0,34 x 0,34	61,5 x 61,5	76,5 x 71,5	STN-BLUE	LED / White	8-Bit-MCU	NT7701
DEM 160160C FGH-PW	160 x 160	3,1"	0,34 x 0,34	61,5 x 61,5	76,5 x 71,5	FSTN	LED / White	8-Bit-MCU	UCi7701c
DEM 160160C SBH-PW-N	160 x 160	3,1"	0,34 x 0,34	61,5 x 61,5	76,5 x 71,5	STN-BLUE	LED / White	8-Bit-MCU	UCi7701c
DEM 240064B ADX-PW-N	240 x 64	5,2"	0,50 x 0,50	132,6 x 39,0	144,9 x 56,4	ASTN	LED / White	8-Bit-MCU	ST7575P
DEM 240064B FGH-PW	240 x 64	5,2"	0,50 x 0,50	132,6 x 39,0	144,9 x 56,4	FSTN	LED / White	8-Bit-MCU	ST7565P
DEM 240064B FGH-P(RGB)	240 x 64	5,2"	0,50 x 0,50	132,6 x 39,0	144,9 x 56,4	FSTN	LED / White	8-Bit-MCU	ST7565P
DEM 240064B SBH-PW-N	240 x 64	5,2"	0,50 x 0,50	132,6 x 39,0	144,9 x 56,4	STN-BLUE	LED / White	8-Bit-MCU	ST7565P
DEM 240064C1 FGH-PW	240 x 64	5,2"	0,49 x 0,49	135,0 x 40,0	180,0 x 65,0	FSTN	LED / White	8-Bit-MCU	UCi6963
DEM 240064C1 SBH-PW-N	240 x 64	5,2"	0,49 x 0,49	135,0 x 40,0	180,0 x 65,0	STN-BLUE	LED / White	8-Bit-MCU	UCi6963
DEM 240064C1 SYH-LY	240 x 64	5,2"	0,49 x 0,49	135,0 x 40,0	180,0 x 65,0	STN-YELLOW/GREEN	LED / Yellow/Green	8-Bit-MCU	UCi6963
DEM 240064D FGH	240 x 64	4,3"	0,44 x 0,47	111,0 x 37,0	114,6 x 49,5	FSTN	No Backlight	8-Bit-MCU	UC1608
DEM 240064D FGH-PW	240 x 64	4,3"	0,44 x 0,47	111,0 x 37,0	120,2 x 55,1	FSTN	LED / White	8-Bit-MCU	UC1608
DEM 240064D SBH-PW-N	240 x 64	4,3"	0,44 x 0,47	111,0 x 37,0	120,2 x 55,1	STN-BLUE	LED / White	8-Bit-MCU	UC1608
DEM 240064E FGH-PW	240 x 64	3,2"	0,30 x 0,30	80,8 x 24,8	86,2 x 39,3	FSTN	LED / White	8-Bit-MCU; SPI	ST7586S
DEM 240064E SBH-PW-N	240 x 64	3,2"	0,30 x 0,30	80,8 x 24,8	86,2 x 39,3	STN-BLUE	LED / White	8-Bit-MCU; SPI	ST7586S
DEM 240064F FGH-PW	240 x 64	4,1"	0,40 x 0,40	106,2 x 31,2	111,4 x 45,5	FSTN	LED / White	8-Bit-MCU; SPI	ST7586S
DEM 240064F SBH-PW-N	240 x 64	4,1"	0,40 x 0,40	106,2 x 31,2	111,4 x 45,5	STN-BLUE	LED / White	8-Bit-MCU; SPI	ST7586S
DEM 240128A ADX-PW-N	240 x 128	3,7"	0,32 x 0,32	92,0 x 53,0	98,7 x 67,7	ASTN	LED / White	8-Bit-MCU; SPI	ST7529G
DEM 240128A FGH	240 x 128	3,7"	0,32 x 0,32	92,0 x 53,0	96,0 x 65,0	FSTN	No Backlight	8-Bit-MCU; SPI	ST7529G

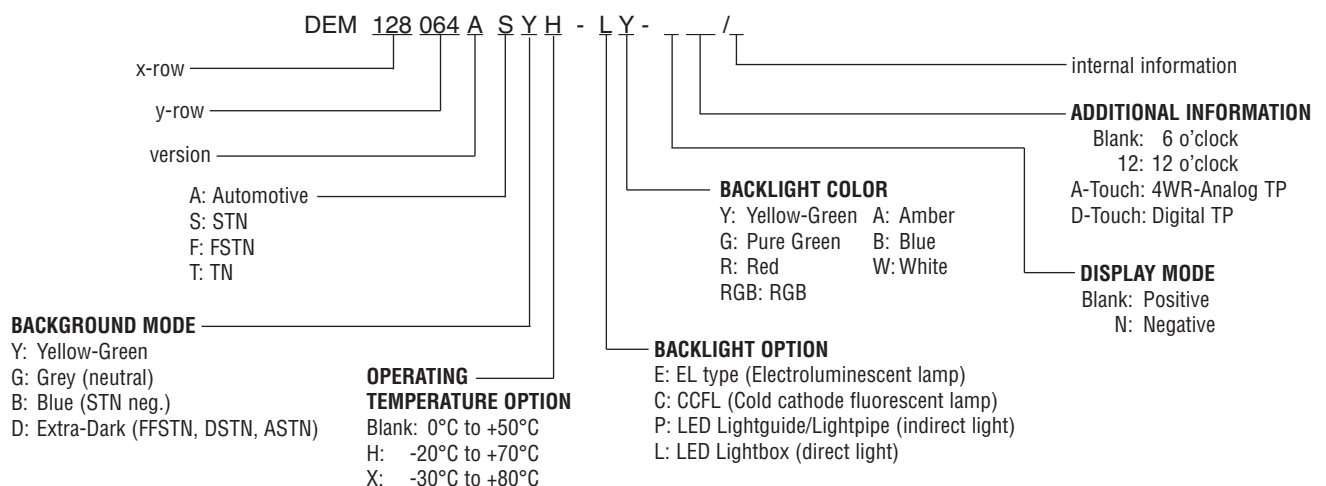
other models upon request

GRAPHIC MONOCHROME

MODEL	DISPLAY FORMAT	SIZE	DOT SIZES	VIEWING AREA	MODULE SIZE	TECHNOLOGY	BACKLIGHT / COLOR	MPU INTERFACE	IC
DEM 240128A FGH-PB	240 x 128	3,7"	0,32 x 0,32	92,0 x 53,0	98,7 x 67,7	FSTN	LED / Blue	8-Bit-MCU; SPI	ST7529G
DEM 240128A FGH-P(RGB)	240 x 128	3,7"	0,32 x 0,32	92,0 x 53,0	98,7 x 67,7	FSTN	LED / RGB	8-Bit-MCU; SPI	ST7529G
DEM 240128A FGH-PW	240 x 128	3,7"	0,32 x 0,32	92,0 x 53,0	98,7 x 67,7	FSTN	LED / White	8-Bit-MCU; SPI	ST7529G
DEM 240128A SBH-PW-N	240 x 128	3,7"	0,32 x 0,32	92,0 x 53,0	98,7 x 67,7	STN-BLUE	LED / White	8-Bit-MCU; SPI	ST7529G
DEM 240128B FYH-LY	240 x 128	3,3"	0,26 x 0,29	78,0 x 45,0	100,0 x 65,0	FSTN	LED / Yellow/Green	8-Bit-MCU	NT7086
DEM 240128C1 FGH-PW	240 x 128	3,3"	0,26 x 0,29	78,0 x 45,0	100,0 x 65,0	FSTN	LED / White	8-Bit-MCU	UCi6963
DEM 240128C1 SBH-PW-N	240 x 128	3,3"	0,26 x 0,29	78,0 x 45,0	100,0 x 65,0	STN-BLUE	LED / White	8-Bit-MCU	UCi6963
DEM 240128D1 FGH-PW	240 x 128	4,8"	0,40 x 0,40	114,0 x 64,0	144,0 x 104,0	FSTN	LED / White	8-Bit-MCU	UCi6963
DEM 240128D1 FGH-PW (A-TOUCH)	240 x 128	4,8"	0,40 x 0,40	114,0 x 64,0	144,0 x 104,0	FSTN	LED / White	8-Bit-MCU	UCi6963
DEM 240128D FGH-PW (D-TOUCH)	240 x 128	4,8"	0,40 x 0,40	114,0 x 64,0	144,0 x 104,0	FSTN	LED / White	8-Bit-MCU	T6963C
DEM 240128D SBH-PW-N	240 x 128	4,8"	0,40 x 0,40	114,0 x 64,0	144,0 x 104,0	STN-BLUE	LED / White	8-Bit-MCU	T6963C
DEM 240128D SBH-PW-N (A-TOUCH)	240 x 128	4,8"	0,40 x 0,40	114,0 x 64,0	144,0 x 104,0	STN-BLUE	LED / White	8-Bit-MCU	T6963C
DEM 240128D SBH-PW-N (D-TOUCH)	240 x 128	4,8"	0,40 x 0,40	114,0 x 64,0	144,0 x 104,0	STN-BLUE	LED / White	8-Bit-MCU	T6963C
DEM 240128E FGH-PW	240 x 128	4,0"	0,33 x 0,37	92,0 x 60,5	101,3 x 92,3	FSTN	LED / White	8-Bit-MCU	UC1608
DEM 240128E SBH-PW-N	240 x 128	4,0"	0,33 x 0,37	92,0 x 60,5	101,3 x 92,3	STN-BLUE	LED / White	8-Bit-MCU	UC1608
DEM 240128F FGH-PW	240 x 128	4,8"	0,43 x 0,43	114,0 x 64,0	122,2 x 79,8	FSTN	LED / White	8-Bit-MCU; SPI	ST7586S
DEM 240128F SBH-PW-N	240 x 128	4,8"	0,43 x 0,43	114,0 x 64,0	122,2 x 79,8	STN-BLUE	LED / White	8-Bit-MCU; SPI	ST7586S
DEM 240160A FGH-PW	240 x 160	2,5"	0,20 x 0,20	56,0 x 38,7	60,0 x 51,7	FSTN	LED / White	8-Bit-MCU	UC1698
DEM 240160A SBH-PW-N	240 x 160	2,5"	0,20 x 0,20	56,0 x 38,7	60,0 x 51,7	STN-BLUE	LED / White	8-Bit-MCU	UC1698
DEM 240160B FGH-PW	240 x 160	3,9"	0,33 x 0,30	99,0 x 57,5	105,5 x 67,2	FSTN	LED / White	8-Bit-MCU	UC1698
DEM 240160B SBH-PW-N	240 x 160	3,9"	0,33 x 0,30	99,0 x 57,5	105,5 x 67,2	STN-BLUE	LED / White	8-Bit-MCU	UC1698
DEM 240160C FGH-PW	240 x 160	3,2"	0,26 x 0,26	70,4 x 46,5	77,42 x 61,0	FSTN	LED / White	8-Bit-MCU	ST7529
DEM 256128A FGH-PW	256 x 128	2,9"	0,24 x 0,24	70,7 x 38,8	80,0 x 54,0	FSTN	LED / White	8-Bit-MCU; SPI; I2C	ST75256
DEM 256128A SBH-PW-N	256 x 128	2,9"	0,24 x 0,24	70,7 x 38,8	80,0 x 54,0	STN-BLUE	LED / White	8-Bit-MCU; SPI; I2C	ST75256
DEM 320240A FGH-CW	320 x 240	5,7"	0,33 x 0,33	123,0 x 92,0	167,0 x 109,0	FSTN	CCFL / White	8-Bit-MCU	RA8835
DEM 320240A SBH-CW-N	320 x 240	5,7"	0,33 x 0,33	123,0 x 92,0	167,0 x 109,0	STN-BLUE	CCFL / White	8-Bit-MCU	RA8835
DEM 320240D FGH-CW	320 x 240	4,7"	0,27 x 0,27	104,0 x 79,3	151,6 x 96,0	FSTN	CCFL / White	8-Bit-MCU	NT7086
DEM 320240D SBH-CW-N	320 x 240	4,7"	0,27 x 0,27	104,0 x 79,3	151,6 x 96,0	STN-BLUE	CCFL / White	8-Bit-MCU	NT7086
DEM 320240E FGH-PW	320 x 240	4,7"	0,27 x 0,27	104,0 x 79,3	142,0 x 96,0	FSTN	LED / White	8-Bit-MCU	S1D13700
DEM 320240E SBH-PW-N	320 x 240	4,7"	0,27 x 0,27	104,0 x 79,3	142,0 x 96,0	STN-BLUE	LED / White	8-Bit-MCU	S1D13700
DEM 320240F FGH-CW	320 x 240	5,7"	0,33 x 0,33	122,0 x 92,0	163,0 x 109,0	FSTN	CCFL / White	8-Bit-MCU	S1D13700
DEM 320240F SBH-CW-N	320 x 240	5,7"	0,33 x 0,33	122,0 x 92,0	163,0 x 109,0	STN-BLUE	CCFL / White	8-Bit-MCU	S1D13700
DEM 320240I FGH-PW	320 x 240	5,7"	0,33 x 0,33	122,0 x 92,0	156,5 x 109,0	FSTN	LED / White	8-Bit-MCU	S1D13700
DEM 320240I FGH-PW (A-TOUCH)	320 x 240	5,7"	0,33 x 0,33	122,0 x 92,0	156,5 x 109,0	FSTN	LED / White	8-Bit-MCU	S1D13700
DEM 320240I SBH-PW-N	320 x 240	5,7"	0,33 x 0,33	122,0 x 92,0	156,5 x 109,0	STN-BLUE	LED / White	8-Bit-MCU	S1D13700
DEM 320240I SBH-PW-N (A-TOUCH)	320 x 240	5,7"	0,33 x 0,33	122,0 x 92,0	156,5 x 109,0	STN-BLUE	LED / White	8-Bit-MCU	S1D13700

other models upon request

ORDERING INFORMATION GRAPHIC MONOCHROME

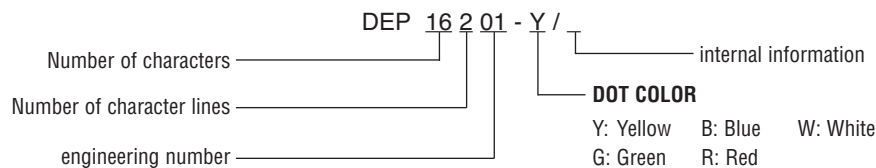


OLED ALPHANUMERIC MODULES

MODEL	DISPLAY FORMAT	CHARACTER HEIGHT	VIEWING AREA	MODULE SIZE	COLOR / LIFETIME	MPU INTERFACE	CHARACTER FONT
DEP 08201-W	8 x 2	5,56	38,0 x 16,0	58,0 x 32,0	WHITE / 50000 h	8-Bit-MCU	English-Japanese; English-European; English-Cyrillic
DEP 08201-Y	8 x 2	5,56	38,0 x 16,0	58,0 x 32,0	YELLOW / 100000 h	8-Bit-MCU	English-Japanese; English-European; English-Cyrillic
DEP 16101-W	16 x 1	6,35	66,0 x 16,0	80,0 x 36,0	WHITE / 50000 h	8-Bit-MCU	English-Japanese; English-European; English-Cyrillic
DEP 16101-Y	16 x 1	6,35	66,0 x 16,0	80,0 x 36,0	YELLOW / 100000 h	8-Bit-MCU	English-Japanese; English-European; English-Cyrillic
DEP 16201-W	16 x 2	5,00	66,0 x 16,0	80,0 x 36,0	WHITE / 50000 h	8-Bit-MCU	English-Japanese; English-European; English-Cyrillic
DEP 16201-Y	16 x 2	5,55	66,0 x 16,0	80,0 x 36,0	YELLOW / 100000 h	8-Bit-MCU	English-Japanese; English-European; English-Cyrillic
DEP 16202-W	16 x 2	5,55	66,0 x 16,0	84,0 x 44,0	WHITE / 50000 h	8-Bit-MCU	English-Japanese; English-European; English-Cyrillic
DEP 16202-Y	16 x 2	5,55	66,0 x 16,0	84,0 x 44,0	YELLOW / 100000 h	8-Bit-MCU	English-Japanese; English-European; English-Cyrillic
DEP 16203-Y	16 x 2	8,90	99,0 x 24,0	122,0 x 44,0	YELLOW / 100000 h	8-Bit-MCU	English-Japanese; English-European; English-Cyrillic
DEP 16204-W	16 x 2	5,57	58,2 x 13,5	68,5 x 17,5	WHITE / 20000 h	8-Bit-MCU; SPI; I2C	English-Japanese; English-European; English-Cyrillic
DEP 16204-Y	16 x 2	5,57	58,2 x 13,5	68,5 x 17,5	YELLOW / 50000 h	8-Bit-MCU; SPI; I2C	English-Japanese; English-European; English-Cyrillic
DEP 16205-Y	16 x 2	2,84	36,0 x 10,0	53,0 x 20,0	YELLOW / 50000 h	8-Bit-MCU	English-Japanese; English-European; English-Cyrillic
DEP 16206-W	16 x 2	8,90	98,0 x 21,0	122,0 x 44,0	WHITE / 50000 h	8-Bit-MCU	English-Japanese; English-European; English-Cyrillic
DEP 16206-Y	16 x 2	8,90	98,0 x 21,0	122,0 x 44,0	YELLOW / 100000 h	8-Bit-MCU	English-Japanese; English-European; English-Cyrillic
DEP 20201-W	20 x 2	5,55	85,0 x 18,6	116,0 x 37,0	WHITE / 50000 h	8-Bit-MCU	English-Japanese; English-European; English-Cyrillic
DEP 20201-Y	20 x 2	5,55	85,0 x 18,6	116,0 x 37,0	YELLOW / 100000 h	8-Bit-MCU	English-Japanese; English-European; English-Cyrillic
DEP 20202-Y	20 x 2	9,66	149,0 x 23,0	180,0 x 40,0	YELLOW / 100000 h	8-Bit-MCU	English-Japanese; English-European; English-Cyrillic
DEP 20203-Y	20 x 2	5,57	75,5 x 13,5	84,5 x 19,3	YELLOW / 50000 h	8-Bit-MCU; SPI; I2C	English-Japanese; English-European; English-Cyrillic
DEP 20401-W	20 x 4	4,75	77,0 x 25,2	98,0 x 60,0	WHITE / 50000 h	8-Bit-MCU	English-Japanese; English-European; English-Cyrillic
DEP 20401-Y	20 x 4	4,75	77,0 x 25,2	98,0 x 60,0	YELLOW / 100000 h	8-Bit-MCU	English-Japanese; English-European; English-Cyrillic
DEP 40201-Y	40 x 2	5,55	154,4 x 16,5	182,0 x 38,5	YELLOW / 100000 h	8-Bit-MCU	English-Japanese; English-European; English-Cyrillic

other models upon request

ORDERING INFORMATION OLED ALPHANUMERIC



OLED GRAPHIC MODULES

MODEL	DISPLAY FORMAT	SIZE	ACTIVE AREA	MODULE SIZE	COLOR / LIFETIME	MPU INTERFACE	IC	MODULE TYPE
DEP 048064A-Y	48 x 64	0,70"	10,5 x 14,7	13,9 x 22,0	YELLOW / 50000 h	SPI	SSD1306BZ	COG
DEP 050016A-W	50 x 16	1,30"	30,0 x 11,2	58,0 x 32,0	WHITE / 50000 h	8-Bit-MCU	t.b.d.	COB
DEP 050016A-Y	50 x 16	1,30"	30,0 x 11,2	58,0 x 32,0	YELLOW / 100000 h	8-Bit-MCU	t.b.d.	COB
DEP 064032A-W	64 x 32	0,49"	11,2 x 5,6	14,5 x 11,6	WHITE / 20000 h	SPI	SSD1306BZ	COG
DEP 064032A-Y	64 x 32	0,49"	11,2 x 5,6	14,5 x 11,6	YELLOW / 50000 h	SPI	SSD1306BZ	COG
DEP 064048A-Y	64 x 48	0,70"	13,4 x 10,1	18,5 x 18,1	YELLOW / 50000 h	8-Bit-MCU; SPI; I2C	SSD1306BZ	COG
DEP 096016A-W	96 x 16	0,84"	21,1 x 3,5	29,1 x 9,2	WHITE / 20000 h	SPI	SSD1306BZ	COG
DEP 096016A-Y	96 x 16	0,84"	21,1 x 3,5	29,1 x 9,2	YELLOW / 50000 h	SPI	SSD1306BZ	COG
DEP 096032B-W	96 x 32	0,80"	19,2 x 6,4	28,5 x 11,5	WHITE / 30000 h	SPI	SSD1307	COG
DEP 096032C-W	96 x 32	0,68"	16,3 x 5,4	19,8 x 12,3	WHITE / 20000 h	8-Bit-MCU; SPI; I2C	SSD1305	COG
DEP 096064B1-Y	96 x 64	1,10"	22,5 x 15,0	29,0 x 22,5	YELLOW / 50000 h	8-Bit-MCU; SPI; I2C	SSD1327	COG
DEP 100016A-W	100 x 16	2,40"	59,9 x 11,1	80,0 x 36,0	WHITE / 50000 h	8-Bit-MCU	t.b.d.	COB
DEP 100016A-Y	100 x 16	2,40"	59,9 x 11,1	80,0 x 36,0	YELLOW / 100000 h	8-Bit-MCU	t.b.d.	COB
DEP 100016B-W	100 x 16	3,70"	95,9 x 17,9	122,0 x 44,0	WHITE / 50000 h	8-Bit-MCU	t.b.d.	COB
DEP 100016B-Y	100 x 16	3,70"	95,9 x 17,9	122,0 x 44,0	YELLOW / 100000 h	8-Bit-MCU	t.b.d.	COB
DEP 100016C-W	100 x 16	2,60"	64,9 x 11,1	116,0 x 37,0	WHITE / 50000 h	8-Bit-MCU	t.b.d.	COB
DEP 100016C-Y	100 x 16	2,60"	64,9 x 11,1	116,0 x 37,0	YELLOW / 100000 h	8-Bit-MCU	t.b.d.	COB
DEP 100032A-W	100 x 32	2,40"	58,9 x 19,1	98,0 x 60,0	WHITE / 50000 h	8-Bit-MCU	t.b.d.	COB
DEP 100032A-Y	100 x 32	2,40"	58,9 x 19,1	98,0 x 60,0	YELLOW / 100000 h	8-Bit-MCU	t.b.d.	COB

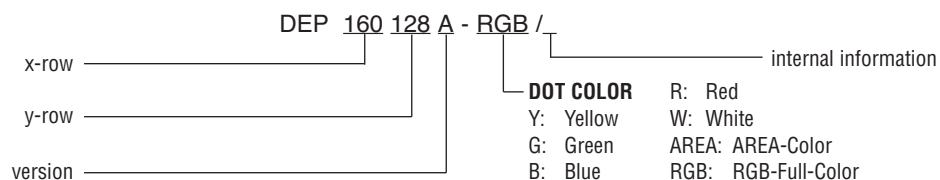
other models upon request

OLED GRAPHIC MODULES

MODEL	DISPLAY FORMAT	SIZE	ACTIVE AREA	MODULE SIZE	COLOR / LIFETIME	MPU INTERFACE	IC	MODULE TYPE
DEP 128032A-B	128 x 32	2,20"	55,0 x 13,1	62,0 x 24,0	BLUE / 20000 h	8-Bit-MCU; SPI	SSD1305	COG
DEP 128032A-W	128 x 32	2,20"	55,0 x 13,1	62,0 x 24,0	WHITE / 20000 h	8-Bit-MCU; SPI	SSD1305	COG
DEP 128032A-Y	128 x 32	2,20"	55,0 x 13,1	62,0 x 24,0	YELLOW / 50000 h	8-Bit-MCU; SPI	SSD1305	COG
DEP 128032B-W	128 x 32	0,90"	22,4 x 5,6	30,0 x 11,5	WHITE / 20000 h	SPI	SSD1306BZ	COG
DEP 128032B-Y	128 x 32	0,90"	22,4 x 5,6	30,0 x 11,5	YELLOW / 50000 h	SPI	SSD1306BZ	COG
DEP 128032D-W	128 x 32	1,00"	25,6 x 6,4	33,4 x 14,5	WHITE / 20000 h	8-Bit-MCU; SPI; I2C	SSD1306BZ	COG
DEP 128032D-Y	128 x 32	1,00"	25,6 x 6,4	33,4 x 14,5	YELLOW / 50000 h	8-Bit-MCU; SPI; I2C	SSD1306BZ	COG
DEP 128032E-W	128 x 32	0,90"	22,4 x 5,6	30,0 x 11,5	WHITE / 20000 h	I2C	SSD1306BZ	COG
DEP 128032E-Y	128 x 32	0,90"	22,4 x 5,6	30,0 x 11,5	YELLOW / 50000 h	I2C	SSD1306BZ	COG
DEP 128032F-W	128 x 32	2,00"	50,5 x 10,7	59,0 x 18,9	WHITE / 20000 h	8-Bit-MCU; SPI; I2C	SSD1315	COG
DEP 128032G-W	128 x 32	1,71"	42,2 x 10,5	50,5 x 15,7	WHITE / 20000 h	SPI; I2C	SSD1307ZD	COG
DEP 128032G-Y	128 x 32	1,71"	42,2 x 10,5	50,5 x 15,7	YELLOW / 50000 h	SPI; I2C	SSD1307ZD	COG
DEP 128064B1-W	128 x 64	2,40"	55,0 x 27,5	75,0 x 52,7	WHITE / 20000 h	8-BIT-MCU	SSD1309	COG
DEP 128064B1-Y	128 x 64	2,40"	55,0 x 27,5	75,0 x 52,7	YELLOW / 50000 h	8-Bit-MCU	SSD1309	COB
DEP 128064C-AREA	128 x 64	1,00"	21,7 x 11,2	26,7 x 19,3	AREA-COLOR / 20000 h	8-Bit-MCU; SPI; I2C	SSD1306BZ	COG
DEP 128064C1-W	128 x 64	1,00"	21,7 x 10,9	26,7 x 19,3	WHITE / 20000 h	8-Bit-MCU; SPI; I2C	SSD1306BZ	COG
DEP 128064C1-Y	128 x 64	1,00"	21,7 x 10,9	26,7 x 19,3	YELLOW / 50000 h	8-Bit-MCU; SPI; I2C	SSD1306BZ	COG
DEP 128064C2-W	128 x 64	1,00"	21,7 x 10,9	26,7 x 19,3	WHITE / 20000 h	8-Bit-MCU; SPI; I2C	SH1106G	COG
DEP 128064C2-Y	128 x 64	1,00"	21,7 x 10,9	26,7 x 19,3	YELLOW / 50000 h	8-Bit-MCU; SPI; I2C	SH1106G	COG
DEP 128064D-W	128 x 64	1,30"	29,4 x 14,2	34,5 x 23,0	WHITE / 20000 h	8-Bit-MCU; SPI; I2C	SH1106G	COG
DEP 128064D-Y	128 x 64	1,30"	29,4 x 14,2	34,5 x 23,0	YELLOW / 50000 h	8-Bit-MCU; SPI; I2C	SH1106G	COG
DEP 128064I-W	128 x 64	1,50"	35,0 x 17,5	42,0 x 27,2	WHITE / 20000 h	8-Bit-MCU; SPI; I2C	SSD1309	COG
DEP 128064I-Y	128 x 64	1,50"	35,0 x 17,5	42,0 x 27,2	YELLOW / 50000 h	8-Bit-MCU; SPI; I2C	SSD1309	COG
DEP 128064J-Y	128 x 64	1,60"	36,4 x 18,2	41,9 x 28,0	YELLOW / 40000 h	8-Bit-MCU; SPI	SSD1325	COG
DEP 128064K1-W	128 x 64	2,70"	61,4 x 30,7	73,0 x 41,9	WHITE / 20000 h	8-Bit-MCU; SPI; I2C	SSD1309	COG
DEP 128064K1-Y	128 x 64	2,70"	61,4 x 30,7	73,0 x 41,9	YELLOW / 50000 h	8-Bit-MCU; SPI; I2C	SSD1309	COG
DEP 128064M1-W	128 x 64	2,70"	61,4 x 30,7	89,7 x 47,2	WHITE / 20000 h	8-Bit-MCU; SPI; I2C	SSD1309	COG
DEP 128064M1-Y	128 x 64	2,70"	61,4 x 30,7	89,7 x 47,2	YELLOW / 50000 h	8-Bit-MCU; SPI; I2C	SSD1309	COG
DEP 128064R-W	128 x 64	2,70"	61,4 x 30,7	73,0 x 41,9	WHITE / 20000 h	8-Bit-MCU; SPI; I2C	SSD1309	COG
DEP 128064R-Y	128 x 64	2,70"	61,4 x 30,7	73,0 x 41,9	YELLOW / 50000 h	8-Bit-MCU; SPI; I2C	SSD1309	COG
DEP 128064S-W	128 x 64	2,42"	55,0 x 27,5	60,5 x 37,0	WHITE / 20000 h	8-Bit-MCU; SPI; I2C	SSD1309Z	COG
DEP 128064S-Y	128 x 64	2,42"	55,0 x 27,5	60,5 x 37,0	YELLOW / 50000 h	8-Bit-MCU; SPI; I2C	SSD1309Z	COG
DEP 128064S-Y (C-TOUCH)	128 x 64	2,42"	55,0 x 27,5	66,8 x 41,3	YELLOW / 50000 h	8-Bit-MCU; SPI; I2C	SSD1309Z	COG
DEP 128096A-W	128 x 96	1,30"	26,9 x 20,1	33,0 x 26,8	WHITE / 16000 h	8-Bit-MCU; SPI	SSD1329	TAB+FPC
DEP 128128B-W	128 x 128	1,50"	26,9 x 26,9	33,8 x 36,5	WHITE / 20000 h	8-Bit-MCU; SPI; I2C	SSD1327Z	COG
DEP 128128B-Y	128 x 128	1,50"	26,9 x 26,9	33,8 x 36,5	YELLOW / 50000 h	8-Bit-MCU; SPI; I2C	SSD1327Z	COG
DEP 128128C3-RGB	128 x 128	1,50"	26,3 x 26,3	33,5 x 33,5	RGB / 14000 h	8-Bit-MCU	SSD1351	TAB+FPC
DEP 128128C3-RGB(A-TOUCH)	128 x 128	1,50"	26,3 x 26,3	33,5 x 33,5	RGB / 14000 h	8-Bit-MCU	SSD1351	TAB+FPC
DEP 128128D-W	128 x 128	1,50"	26,9 x 26,9	33,8 x 36,5	WHITE / 12000 h	8-Bit-MCU	SSD1327Z	COG
DEP 128128D-Y	128 x 128	1,50"	26,9 x 26,9	33,8 x 36,5	YELLOW / 40000 h	8-Bit-MCU	SSD1327Z	COG
DEP 128128E-W	128 x 128	1,2"(Ø)	30,0 x 30,0	37,0 x 41,2	WHITE / 20000 h	8-Bit-MCU; SPI; I2C	SSD1327Z	COG
DEP 128128E-Y	128 x 128	1,2"(Ø)	30,0 x 30,0	37,0 x 41,2	YELLOW / 50000 h	8-Bit-MCU; SPI; I2C	SSD1327Z	COG
DEP 128160A-W	128 x 160	1,92"	28,9 x 39,3	34,5 x 48,8	WHITE / 16000 h	8-Bit-MCU; SPI; I2C	SH1108	COG
DEP 160128A1-RGB	160 x 128	1,80"	35,0 x 28,0	42,7 x 33,4	RGB / 16000 h	8-Bit-MCU; SPI	SSD1353	TAB+FPC
DEP 256064A1-W	256 x 64	2,80"	69,1 x 17,3	84,0 x 25,8	WHITE / 20000 h	8-Bit-MCU; SPI	SSD1322	TAB+FPC
DEP 256064A1-Y	256 x 64	2,80"	69,1 x 17,2	84,0 x 25,8	YELLOW / 50000 h	8-Bit-MCU; SPI	SSD1322	TAB+FPC
DEP 256064B-W	256 x 64	3,20"	79,1 x 19,8	87,4 x 28,5	WHITE / 19000 h	8-Bit-MCU; SPI	SSD1322	TAB+FPC
DEP 256064B-Y	256 x 64	3,20"	79,1 x 19,8	87,4 x 28,5	YELLOW / 30000 h	8-Bit-MCU; SPI	SSD1322	TAB+FPC
DEP 256064C-Y	256 x 64	3,10"	76,8 x 19,2	88,0 x 27,8	YELLOW / 50000 h	8-Bit-MCU; SPI	SSD1322	TAB+FPC
DEP 256064C-W	256 x 64	3,10"	76,8 x 19,2	88,0 x 27,8	WHITE / 20000 h	8-Bit-MCU; SPI	SSD1322	TAB+FPC
DEP 256064E-G	256 x 64	5,50"	135,6 x 33,9	146,0 x 45,0	GREEN / 40000 h	8-Bit-MCU; SPI	SSD1322	TAB+FPC
DEP 256064F-W	256 x 64	2,08"	51,2 x 12,8	60,5 x 19,0	WHITE / 20000 h	8-Bit-MCU; SPI; I2C	SSD1362Z	COG
DEP 256064F-Y	256 x 64	2,08"	51,2 x 12,8	60,5 x 19,0	YELLOW / 50000 h	8-Bit-MCU; SPI; I2C	SSD1362Z	COG

other models upon request

ORDERING INFORMATION OLED GRAPHIC



GRAPHIC COLOR TFT



MODEL	SIZE	DISPLAY FORMAT	ACTIVE AREA	MODULE SIZE	BRIGHTNESS/ LIFETIME	MPU INTERFACE	REMARKS
DEM 080160A VMH-PW-N	0,9"	80 x 160	10,8 x 21,7	13,5 x 27,9	500 cd/m ² 50000 h	SPI	No Touch
DEM 096096A VMH-PW-N	1,1"	96 x 96	19,9 x 19,9	25,4 x 28,1	440 cd/m ² 30000 h	SPI	No Touch
DEM 240204A VMH-PW-N	1,2"(ø)	240 x 204	30,9 x 26,3	33,7 x 33,0	400 cd/m ² 30000 h	SPI	No Touch
DEM 128128A1 TMH-PW-N	1,4"	128 x 128	25,5 x 26,5	30,7 x 36,0	540 cd/m ² 30000 h	8-Bit-MCU; SPI	No Touch
DEM 128128A1 TMH-PW-N (C-TOUCH)	1,4"	128 x 128	25,5 x 26,5	36,7 x 43,0	360 cd/m ² 30000 h	8-Bit-MCU; SPI	Projective Capacitive
DEM 320320A VMH-PW-N	1,5"	320 x 320	27,7 x 27,7	31,9 x 36,4	430 cd/m ² 30000 h	16-Bit-RGB; SPI	No Touch
DEM 128160A1 TMH-PW-N	1,8"	128 x 160	28,0 x 35,0	36,3 x 47,8	350 cd/m ² 50000 h	16-Bit-MCU	No Touch
DEM 128160B TMH-PW-N	1,8"	128 x 160	28,0 x 35,0	34,7 x 46,7	350 cd/m ² 30000 h	8-Bit-MCU	No Touch
DEM 128160B TMH-PW-N (C-TOUCH)	1,8"	128 x 160	28,0 x 35,0	40,7 x 52,7	280 cd/m ² 30000 h	8-Bit-MCU	Projective Capacitive
DEM 128160C TMH-PW-N	1,8"	128 x 160	28,0 x 35,0	34,7 x 46,7	350 cd/m ² 30000 h	SPI	No Touch
DEM 128160C TMH-PW-N (C-TOUCH)	1,8"	128 x 160	28,0 x 35,0	40,7 x 52,7	280 cd/m ² 30000 h	SPI	Projective Capacitive
DEM 128160D TMH-PW-N	1,8"	128 x 160	28,0 x 35,0	34,0 x 45,8	500 cd/m ² 50000 h	8-Bit-MCU; 16-Bit-MCU; SPI	No Touch
DEM 160240A TMH-PW-N	1,5"	160 x 240	29,8 x 22,3	37,1 x 32,7	150 cd/m ² 30000 h	8-BIT-SERIAL-RGB; SPI	No Touch
DEM 240320O VMH-PW-N	2,0"	240 x 320	30,6 x 40,8	37,7 x 51,3	300 cd/m ² 30000 h	18-Bit-RGB; SPI	No Touch
DEM 240320O VMH-PW-N (C-TOUCH)	2,0"	240 x 320	30,6 x 40,8	43,7 x 57,3	240 cd/m ² 30000 h	18-Bit-RGB; SPI	Projective Capacitive
DEM 480480A VMH-PW-N	2,1"(ø)	480 x 480	53,2 x 53,2	56,1 x 60,4	250 cd/m ² 30000 h	18-Bit-RGB; SPI	No Touch
DEM 240320A3 TMH-PW-N	2,2"	240 x 320	33,5 x 44,6	40,3 x 58,1	280 cd/m ² 50000 h	16-Bit-MCU	No Touch
DEM 320240P TMH-PW-N	2,3"	320 x 240	46,7 x 35,1	50,9 x 45,8	300 cd/m ² 30000 h	6-Bit-RGB(Serial); SPI	No Touch
DEM 240320B TMH-PW-N (A-TOUCH)	2,4"	240 x 320	36,7 x 49,0	42,7 x 60,3	250 cd/m ² 50000 h	8-Bit-MCU; SPI	4-Wire-Resistive
DEM 240320E TMH-PW-N (A-TOUCH)	2,4"	240 x 320	36,7 x 49,0	42,7 x 60,3	250 cd/m ² 50000 h	8-Bit-MCU; 16-Bit-MCU; SPI	4-Wire-Resistive
DEM 240320J1 TMH-PW-N	2,4"	240 x 320	36,7 x 49,0	42,7 x 60,3	320 cd/m ² 50000 h	16-Bit-MCU; 8-Bit-MCU; SPI	No Touch
DEM 240320J1 TMH-PW-N (A-TOUCH)	2,4"	240 x 320	36,7 x 49,0	42,7 x 60,3	250 cd/m ² 50000 h	16-Bit-MCU; 8-Bit-MCU; SPI	4-Wire-Resistive
DEM 240320J1 TMH-PW-N (C-TOUCH)	2,4"	240 x 320	36,7 x 49,0	48,7 x 66,3	250 cd/m ² 50000 h	16-Bit-MCU; 8-Bit-MCU; SPI	Projective Capacitive
DEM 240320J2 VMH-PW-N	2,4"	240 x 320	36,7 x 49,0	48,7 x 60,3	320 cd/m ² 30000 h	16-Bit-MCU; 8-Bit-MCU; SPI	No Touch
DEM 240320J3 VMH-PW-N	2,4"	240 x 320	36,7 x 49,0	48,7 x 60,3	320 cd/m ² 50000 h	16-Bit-MCU; 8-Bit-MCU; SPI	No Touch
DEM 240320D TMH-PW-N	2,8"	240 x 320	43,2 x 57,6	50,0 x 68,8	280 cd/m ² 50000 h	SPI	No Touch
DEM 240320D TMH-PW-N (A-TOUCH)	2,8"	240 x 320	43,2 x 57,6	50,0 x 69,2	250 cd/m ² 50000 h	SPI	4-Wire-Resistive
DEM 240320F VMH-PW-N	2,8"	240 x 320	43,2 x 57,6	50,5 x 69,7	1000 cd/m ² 50000 h	16-Bit-MCU; 8-Bit-MCU; SPI	No Touch
DEM 240320K TMH-PW-N	2,8"	240 x 320	43,2 x 57,6	50,0 x 69,2	480 cd/m ² 30000 h	18-Bit-RGB; 18-Bit-MCU; 16-Bit-MCU; 8-Bit-MCU; SPI	No Touch
DEM 240320K TMH-PW-N (A-TOUCH)	2,8"	240 x 320	43,2 x 57,6	50,0 x 69,2	400 cd/m ² 30000 h	18-Bit-RGB; 18-Bit-MCU; 16-Bit-MCU; 8-Bit-MCU; SPI	4-Wire-Resistive
DEM 240320K TMH-PW-N (C-TOUCH)	2,8"	240 x 320	43,2 x 57,6	56,0 x 75,2	380 cd/m ² 30000 h	18-Bit-RGB; 18-Bit-MCU; 16-Bit-MCU; 8-Bit-MCU; SPI	Projective Capacitive
DEM 240320K1 TMH-PW-N	2,8"	240 x 320	43,2 x 57,6	50,0 x 69,2	480 cd/m ² 50000 h	18-Bit-RGB; 18-Bit-MCU; 16-Bit-MCU; 8-Bit-MCU; SPI	No Touch
DEM 240320K1 TMH-PW-N (A-TOUCH)	2,8"	240 x 320	43,2 x 57,6	50,0 x 69,2	400 cd/m ² 50000 h	18-Bit-RGB; 18-Bit-MCU; 16-Bit-MCU; 8-Bit-MCU; SPI	4-Wire-Resistive
DEM 240320L TMH-PW-N	2,8"	240 x 320	43,2 x 57,6	50,0 x 69,2	350 cd/m ² 20000 h	9-Bit-MCU	No Touch
DEM 240400A TMH-PW-N	3,0"	240 x 400	38,9 x 64,8	45,0 x 77,0	320 cd/m ² 50000 h	16-Bit-MCU	No Touch
DEM 240320P TMH-PW-N	3,5"	240 x 320	52,6 x 70,1	59,9 x 81,1	400 cd/m ² 30000 h	18-Bit-RGB; SPI	No Touch

other models upon request

GRAPHIC COLOR TFT

MODEL	SIZE	DISPLAY FORMAT	ACTIVE AREA	MODULE SIZE	BRIGHTNESS/ LIFETIME	MPU INTERFACE	REMARKS
DEM 240320Q VMH-PW-N	2,8"	240 x 320	43,2 x 57,6	50,0 x 69,2	500 cd/m ² 30000 h	18-Bit-RGB; SPI	No Touch
DEM 320240A1 TMH-PW-N	3,5"	320 x 240	70,1 x 52,6	76,9 x 63,9	450 cd/m ² 50000 h	8-Bit-MCU	No Touch
DEM 320240A1 TMH-PW-N (A-TOUCH)	3,5"	320 x 240	70,1 x 52,6	76,9 x 63,9	360 cd/m ² 50000 h	8-Bit-MCU	4-Wire-Resistive
DEM 320240B TMH-PW-N	3,5"	320 x 240	70,1 x 52,6	76,9 x 63,9	350 cd/m ² 50000 h	24-Bit-RGB; 18-Bit-RGB	No Touch
DEM 320240B TMH-PW-N (A-TOUCH)	3,5"	320 x 240	70,1 x 52,6	76,9 x 63,9	280 cd/m ² 50000 h	24-Bit-RGB; 18-Bit-RGB	4-Wire-Resistive
DEM 320240C TMH-PW-N	3,5"	320 x 240	70,1 x 52,6	76,9 x 63,9	800 cd/m ² 50000 h	24-Bit-RGB; 18-Bit-RGB	No Touch
DEM 320240C TMH-PW-N (A-TOUCH)	3,5"	320 x 240	70,1 x 52,6	76,9 x 63,9	640 cd/m ² 50000 h	24-Bit-RGB; 18-Bit-RGB	4-Wire-Resistive
DEM 320240C TMH-PW-N (C1-TOUCH)	3,5"	320 x 240	70,1 x 52,6	76,9 x 63,9	700 cd/m ² 50000 h	24-Bit-RGB; 18-Bit-RGB	Projective Capacitive
DEM 320240C TMX-PW-N	3,5"	320 x 240	70,1 x 52,6	76,9 x 63,9	800 cd/m ² 50000 h	24-Bit-RGB; 18-Bit-RGB	No Touch
DEM 320240C TMX-PW-N (A-TOUCH)	3,5"	320 x 240	70,1 x 52,6	76,9 x 63,9	640 cd/m ² 50000 h	24-Bit-RGB; 18-Bit-RGB	4-Wire-Resistive
DEM 320240C TTH-PW-N	3,5"	320 x 240	70,1 x 52,6	76,9 x 63,9	800 cd/m ² 50000 h	24-Bit-RGB; 18-Bit-RGB	No Touch
DEM 320240F TMH-PW-N	3,5"	320 x 240	70,1 x 52,6	76,9 x 63,9	300 cd/m ² 20000 h	24-Bit-RGB; 18-Bit-RGB	No Touch
DEM 320240F TMH-PW-N (A-TOUCH)	3,5"	320 x 240	70,1 x 52,6	76,9 x 63,9	250 cd/m ² 20000 h	24-Bit-RGB; 18-Bit-RGB	4-Wire-Resistive
DEM 320240G1 TMH-PW-N	3,5"	320 x 240	70,1 x 52,6	76,9 x 63,9	300 cd/m ² 50000 h	24-Bit-RGB; 18-Bit-RGB	No Touch
DEM 320240G1 TMH-PW-N (A-TOUCH)	3,5"	320 x 240	70,1 x 52,6	76,9 x 63,9	240 cd/m ² 50000 h	24-Bit-RGB; 18-Bit-RGB	4-Wire-Resistive
DEM 320240G1 TMH-PW-N (C-TOUCH)	3,5"	320 x 240	70,1 x 52,6	76,9 x 63,9	240 cd/m ² 50000 h	24-Bit-RGB; 18-Bit-RGB	Projective Capacitive
DEM 320240J TMH-PW-N	3,5"	320 x 240	70,1 x 52,6	92,0 x 78,4	200 cd/m ² 50000 h	8-Bit-MCU	No Touch
DEM 320240J TMH-PW-N (A-TOUCH)	3,5"	320 x 240	70,1 x 52,6	92,0 x 78,4	200 cd/m ² 50000 h	8-Bit-MCU	4-Wire-Resistive
DEM 320240K1 TMH-PW-N	3,5"	320 x 240	70,1 x 52,6	76,9 x 63,9	400 cd/m ² 30000 h	24-Bit-RGB; 18-Bit-RGB	No Touch
DEM 320240K1 TMH-PW-N (A-TOUCH)	3,5"	320 x 240	70,1 x 52,6	76,9 x 63,9	310 cd/m ² 30000 h	24-Bit-RGB; 18-Bit-RGB	4-Wire-Resistive
DEM 320240L TMH-PW-N (A-TOUCH)	3,5"	320 x 240	70,1 x 52,6	76,9 x 63,9	350 cd/m ² 50000 h	24-Bit-RGB; 18-Bit-RGB	4-Wire-Resistive
DEM 320240L TMH-PW-N (C-TOUCH)	3,5"	320 x 240	70,1 x 52,6	76,9 x 63,9	350 cd/m ² 50000 h	24-Bit-RGB; 18-Bit-RGB	Projective Capacitive
DEM 320240M TMH-PW-N	3,5"	320 x 240	70,1 x 52,6	79,1 x 66,4	450 cd/m ² 50000 h	8-Bit-MCU	No Touch
DEM 320240N TMH-PW-N	3,5"	320 x 240	70,1 x 52,6	76,9 x 63,9	400 cd/m ² 20000 h	24-Bit-RGB; 18-Bit-RGB	No Touch
DEM 320240N TMH-PW-N (A-TOUCH)	3,5"	320 x 240	70,1 x 52,6	76,9 x 63,9	300 cd/m ² 20000 h	24-Bit-RGB; 18-Bit-RGB	4-Wire-Resistive
DEM 320240N TMH-PW-N (C-TOUCH)	3,5"	320 x 240	70,1 x 52,6	76,9 x 63,9	330 cd/m ² 20000 h	24-Bit-RGB; 18-Bit-RGB	Projective Capacitive
DEM 320240Q TMH-PW-N	3,5"	320 x 240	70,1 x 52,6	76,9 x 63,9	380 cd/m ² 50000 h	18-Bit-RGB; 18-Bit-MCU; 16-Bit-MCU; 8-Bit-MCU; SPI	No Touch
DEM 320240Q TMH-PW-N (A-TOUCH)	3,5"	320 x 240	70,1 x 52,6	76,9 x 63,9	300 cd/m ² 50000 h	18-Bit-RGB; 18-Bit-MCU; 16-Bit-MCU; 8-Bit-MCU; SPI	4-Wire-Resistive
DEM 320240Q TMH-PW-N (C-TOUCH)	3,5"	320 x 240	70,1 x 52,6	76,9 x 63,9	300 cd/m ² 50000 h	18-Bit-RGB; 18-Bit-MCU; 16-Bit-MCU; 8-Bit-MCU; SPI	Projective Capacitive
DEM 320240R TMX-PW-N	3,5"	320 x 240	70,1 x 52,6	76,9 x 63,9	1100 cd/m ² 50000 h	24-Bit-RGB; 18-Bit-RGB	No Touch
DEM 320240R TMX-PW-N (A-TOUCH)	3,5"	320 x 240	70,1 x 52,6	76,9 x 63,9	880 cd/m ² 50000 h	24-Bit-RGB; 18-Bit-RGB	4-Wire-Resistive
DEM 320240R TMX-PW-N (C-TOUCH)	3,5"	320 x 240	70,1 x 52,6	76,9 x 63,9	930 cd/m ² 50000 h	24-Bit-RGB; 18-Bit-RGB	Projective Capacitive
DEM 320240T VMX-PW-N	3,5"	320 x 240	70,1 x 52,6	76,9 x 63,9	550 cd/m ² 50000 h	24-Bit-RGB; 18-Bit-RGB	No Touch
DEM 320240U VMX-PW-N	3,5"	320 x 240	70,1 x 52,6	76,9 x 63,9	1000 cd/m ² 50000 h	24-Bit-RGB; 18-Bit-RGB	No Touch
DEM 320480B VMH-PW-N	3,5"	320 x 480	49,0 x 73,4	55,7 x 85,0	420 cd/m ² 30000 h	18-Bit-MCU; 16-Bit-MCU; 8-Bit-MCU; SPI	No Touch
DEM 320480B VMH-PW-N (A-TOUCH)	3,5"	320 x 480	49,0 x 73,4	55,7 x 85,0	330 cd/m ² 30000 h	18-Bit-MCU; 16-Bit-MCU; 8-Bit-MCU; SPI	4-Wire-Resistive
DEM 480640A1 VMH-PW-N	3,5"	480 x 640	53,6 x 71,4	64,0 x 85,0	500 cd/m ² 30000 h	18-Bit-RGB; SPI	No Touch
DEM 240320N TMH-PW-N	3,8"	240 x 320	57,6 x 76,8	73,0 x 93,3	350 cd/m ² 30000 h	8-Bit-MCU	No Touch
DEM 480128A1 VMH-PW-N	3,9"	480 x 128	95,0 x 25,3	105,5 x 40,6	600 cd/m ² 30000 h	24-Bit-RGB; 18-Bit-RGB	No Touch
DEM 480128A1 VMH-PW-N (A-TOUCH)	3,9"	480 x 128	95,0 x 25,3	105,5 x 40,6	480 cd/m ² 30000 h	24-Bit-RGB; 18-Bit-RGB	4-Wire-Resistive
DEM 480480C VMH-PW-N	4,0"	480 x 480	71,9 x 70,2	76,9 x 79,8	470 cd/m ² 30000 h	24-Bit-RGB; 18-Bit-RGB; SPI	No Touch
DEM 480800A3 VMH-PW-N	4,0"	480 x 800	51,8 x 86,4	56,1 x 95,5	250 cd/m ² 30000 h	24-Bit-RGB; 18-Bit-RGB; SPI	No Touch
DEM 480800C VMH-PW-N	4,0"	480 x 800	51,8 x 86,4	57,1 x 96,8	600 cd/m ² 50000 h	DSI (MIPI)	No Touch
DEM 640480B1 VMH-PW-N	4,0"	640 x 480	82,6 x 61,9	89,3 x 73,1	480 cd/m ² 30000 h	DSI (MIPI)	No Touch
DEM 480272A1 TMH-PW-N	4,3"	480 x 272	95,0 x 53,9	105,5 x 67,2	500 cd/m ² 20000 h	8-Bit-MCU	No Touch
DEM 480272A1 TMH-PW-N (A-TOUCH)	4,3"	480 x 272	95,0 x 53,9	105,5 x 67,2	400 cd/m ² 20000 h	8-Bit-MCU	4-Wire-Resistive
DEM 480272A2 TMH-PW-N	4,3"	480 x 272	95,0 x 53,9	105,5 x 67,2	500 cd/m ² 50000 h	8-Bit-MCU	No Touch
DEM 480272A2 TMH-PW-N (A-TOUCH)	4,3"	480 x 272	95,0 x 53,9	105,5 x 67,2	400 cd/m ² 50000 h	8-Bit-MCU	4-Wire-Resistive
DEM 480272B1 TMH-PW-N	4,3"	480 x 272	95,0 x 53,9	105,5 x 67,2	1000 cd/m ² 50000 h	24-Bit-RGB; 18-Bit-RGB	No Touch
DEM 480272B1 TMH-PW-N (C-TOUCH)	4,3"	480 x 272	95,0 x 53,9	123,5 x 85,2	900 cd/m ² 50000 h	24-Bit-RGB; 18-Bit-RGB	Projective Capacitive
DEM 480272C TMH-PW-N	4,3"	480 x 272	95,0 x 53,9	120,0 x 85,0	200 cd/m ² 50000 h	8-Bit-MCU	No Touch

other models upon request

GRAPHIC COLOR TFT

MODEL	SIZE	DISPLAY FORMAT	ACTIVE AREA	MODULE SIZE	BRIGHTNESS/ LIFETIME	MPU INTERFACE	REMARKS
DEM 480272C TMH-PW-N (A-TOUCH)	4,3"	480 x 272	95,0 x 53,9	120,0 x 85,0	200 cd/m ² 50000 h	8-Bit-MCU	4-Wire-Resistive
DEM 480272D1 TMH-PW-N	4,3"	480 x 272	95,0 x 53,9	105,5 x 67,2	1000 cd/m ² 50000 h	24-Bit-RGB; 18-Bit-RGB	No Touch
DEM 480272D1 TMH-PW-N (A-TOUCH)	4,3"	480 x 272	95,0 x 53,9	105,5 x 67,2	800 cd/m ² 50000 h	24-Bit-RGB; 18-Bit-RGB	4-Wire-Resistive
DEM 480272D1 TMH-PW-N (C-TOUCH)	4,3"	480 x 272	95,0 x 53,9	105,5 x 67,2	880 cd/m ² 50000 h	24-Bit-RGB; 18-Bit-RGB	Projective Capacitive
DEM 480272D1 TMX-PW-N	4,3"	480 x 272	95,0 x 53,9	105,5 x 67,2	1000 cd/m ² 50000 h	24-Bit-RGB; 18-Bit-RGB	No Touch
DEM 480272D1 TMX-PW-N (CG-TOUCH)	4,3"	480 x 272	95,0 x 53,9	124,0 x 85,0	850 cd/m ² 50000 h	24-Bit-RGB; 18-Bit-RGB	Projective Capacitive (Gloves)
DEM 480272D1 TMX-PW-N (CW-TOUCH)	4,3"	480 x 272	95,0 x 53,9	124,0 x 85,0	850 cd/m ² 50000 h	24-Bit-RGB; 18-Bit-RGB	Projective Capacitive (Waterproof)
DEM 480272D1 TTH-PW-N	4,3"	480 x 272	95,0 x 53,9	105,5 x 67,2	1000 cd/m ² 50000 h	24-Bit-RGB; 18-Bit-RGB	No Touch
DEM 480272D3 VMH-PW-N	4,3"	480 x 272	95,0 x 53,9	105,5 x 67,2	1000 cd/m ² 50000 h	24-Bit-RGB; 18-Bit-RGB	No Touch
DEM 480272E1 TMH-PW-N	4,3"	480 x 272	95,0 x 53,9	105,5 x 67,2	300 cd/m ² 30000 h	24-Bit-RGB; 18-Bit-RGB	No Touch
DEM 480272E1 TMH-PW-N (A-TOUCH)	4,3"	480 x 272	95,0 x 53,9	105,5 x 67,2	240 cd/m ² 30000 h	24-Bit-RGB; 18-Bit-RGB	4-Wire-Resistive
DEM 480272F1 TMH-PW-N	4,3"	480 x 272	95,0 x 53,9	105,5 x 67,2	500 cd/m ² 20000 h	24-Bit-RGB; 18-Bit-RGB	No Touch
DEM 480272F1 TMH-PW-N (A-TOUCH)	4,3"	480 x 272	95,0 x 53,9	105,5 x 67,2	400 cd/m ² 20000 h	24-Bit-RGB; 18-Bit-RGB	4-Wire-Resistive
DEM 480272G TMH-PW-N	4,3"	480 x 272	95,0 x 53,9	105,5 x 67,2	750 cd/m ² 50000 h	24-Bit-RGB; 18-Bit-RGB	No Touch
DEM 480272G TMH-PW-N (A-TOUCH)	4,3"	480 x 272	95,0 x 53,9	105,5 x 67,2	600 cd/m ² 50000 h	24-Bit-RGB; 18-Bit-RGB	4-Wire-Resistive
DEM 480272G1 TMH-PW-N (C1-TOUCH)	4,3"	480 x 272	95,0 x 53,9	105,5 x 67,2	600 cd/m ² 50000 h	24-Bit-RGB; 18-Bit-RGB	Projective Capacitive
DEM 480272H TMX-PW-N	4,3"	480 x 272	95,0 x 53,9	105,5 x 67,2	400 cd/m ² 30000 h	24-Bit-RGB; 18-Bit-RGB	No Touch
DEM 480272I TMH-PW-N	4,3"	480 x 272	95,0 x 53,9	105,5 x 67,2	250 cd/m ² 20000 h	24-Bit-RGB; 18-Bit-RGB	No Touch
DEM 480272I TMH-PW-N (A-TOUCH)	4,3"	480 x 272	95,0 x 53,9	105,5 x 67,2	220 cd/m ² 20000 h	24-Bit-RGB; 18-Bit-RGB	4-Wire-Resistive
DEM 480272K TMX-PW-N	4,3"	480 x 272	95,0 x 53,9	105,5 x 67,2	650 cd/m ² 50000 h	24-Bit-RGB; 18-Bit-RGB	No Touch
DEM 480272K TMX-PW-N (A-TOUCH)	4,3"	480 x 272	95,0 x 53,9	105,5 x 67,2	500 cd/m ² 50000 h	24-Bit-RGB; 18-Bit-RGB	4-Wire-Resistive
DEM 480272L TMH-PW-N	4,3"	480 x 272	95,0 x 53,9	105,5 x 67,2	550 cd/m ² 50000 h	24-Bit-RGB; 18-Bit-RGB	No Touch
DEM 480272L TMH-PW-N (A-TOUCH)	4,3"	480 x 272	95,0 x 53,9	105,5 x 67,2	440 cd/m ² 50000 h	24-Bit-RGB; 18-Bit-RGB	4-Wire-Resistive
DEM 480272L TMH-PW-N (C-TOUCH)	4,3"	480 x 272	95,0 x 53,9	125,0 x 86,0	440 cd/m ² 50000 h	24-Bit-RGB; 18-Bit-RGB	Projective Capacitive
DEM 480272M TMH-PW-N	4,3"	480 x 272	95,0 x 53,9	106,7 x 69,9	450 cd/m ² 50000 h	8-Bit-MCU	No Touch
DEM 480272N TMH-PW-N	4,3"	480 x 272	95,0 x 53,9	105,5 x 67,2	500 cd/m ² 20000 h	24-Bit-RGB; 18-Bit-RGB	No Touch
DEM 480272N TMH-PW-N (A-TOUCH)	4,3"	480 x 272	95,0 x 53,9	105,5 x 67,2	350 cd/m ² 20000 h	24-Bit-RGB; 18-Bit-RGB	4-Wire-Resistive
DEM 480272N TMH-PW-N (C-TOUCH)	4,3"	480 x 272	95,0 x 53,9	105,5 x 67,2	400 cd/m ² 20000 h	24-Bit-RGB; 18-Bit-RGB	Projective Capacitive
DEM 480272N1 TMH-PW-N	4,3"	480 x 272	95,0 x 53,9	105,5 x 67,2	500 cd/m ² 50000 h	24-Bit-RGB; 18-Bit-RGB	No Touch
DEM 480272N1 TMH-PW-N (A-TOUCH)	4,3"	480 x 272	95,0 x 53,9	105,5 x 67,2	350 cd/m ² 50000 h	24-Bit-RGB; 18-Bit-RGB	4-Wire-Resistive
DEM 480272N1 TMH-PW-N (C-TOUCH)	4,3"	480 x 272	95,0 x 53,9	105,5 x 67,2	400 cd/m ² 50000 h	24-Bit-RGB; 18-Bit-RGB	Projective Capacitive
DEM 800480H VMX-PW-N	4,3"	800 x 480	95,0 x 95,0	105,5 x 67,2	1000 cd/m ² 50000 h	24-Bit-RGB; 18-Bit-RGB	No Touch
DEM 800480V VMH-PW-N	4,3"	800 x 480	95,0 x 53,8	105,5 x 67,2	600 cd/m ² 30000 h	24-Bit-RGB; 18-Bit-RGB	No Touch
DEM 800320A2 TMH-PW-N	4,6"	800 x 320	108,0 x 43,2	120,7 x 57,1	520 cd/m ² 30000 h	24-Bit-RGB; 18-Bit-RGB	No Touch
DEM 800320A2 TMH-PW-N (A-TOUCH)	4,6"	800 x 320	108,0 x 43,2	120,7 x 57,1	400 cd/m ² 30000 h	24-Bit-RGB; 18-Bit-RGB	4-Wire-Resistive
DEM 800480D TMH-PW-N	5,0"	800 x 480	108,0 x 64,8	118,5 x 77,5	250 cd/m ² 20000 h	24-Bit-RGB; 18-Bit-RGB	No Touch
DEM 800480D TMH-PW-N (A-TOUCH)	5,0"	800 x 480	108,0 x 64,8	118,5 x 77,5	200 cd/m ² 20000 h	24-Bit-RGB; 18-Bit-RGB	4-Wire-Resistive
DEM 800480E TMH-PW-N	5,0"	800 x 480	108,0 x 64,8	118,5 x 77,5	500 cd/m ² 50000 h	24-Bit-RGB; 18-Bit-RGB	No Touch
DEM 800480E TMH-PW-N (A-TOUCH)	5,0"	800 x 480	108,0 x 64,8	118,5 x 77,5	400 cd/m ² 50000 h	24-Bit-RGB; 18-Bit-RGB	4-Wire-Resistive
DEM 800480E TMH-PW-N (C3-TOUCH)	5,0"	800 x 480	108,0 x 64,8	126,5 x 85,5	400 cd/m ² 50000 h	24-Bit-RGB; 18-Bit-RGB	Projective Capacitive
DEM 800480Q TMH-PW-N	5,0"	800 x 480	108,0 x 64,8	120,7 x 75,8	450 cd/m ² 20000 h	24-Bit-RGB; 18-Bit-RGB	No Touch
DEM 800480Q TMH-PW-N (A-TOUCH)	5,0"	800 x 480	108,0 x 64,8	120,7 x 75,8	330 cd/m ² 20000 h	24-Bit-RGB; 18-Bit-RGB	4-Wire-Resistive
DEM 800480Q TMH-PW-N (C-TOUCH)	5,0"	800 x 480	108,0 x 64,8	120,7 x 75,8	350 cd/m ² 20000 h	24-Bit-RGB; 18-Bit-RGB	Projective Capacitive
DEM 800480Q1 TMH-PW-N	5,0"	800 x 480	108,0 x 64,8	120,7 x 75,8	500 cd/m ² 50000 h	24-Bit-RGB; 18-Bit-RGB	No Touch
DEM 800480Q1 TMH-PW-N (A-TOUCH)	5,0"	800 x 480	108,0 x 64,8	120,7 x 75,8	450 cd/m ² 50000 h	24-Bit-RGB; 18-Bit-RGB	4-Wire-Resistive
DEM 800480Q1 TMH-PW-N (C-TOUCH)	5,0"	800 x 480	108,0 x 64,8	120,7 x 75,8	400 cd/m ² 50000 h	24-Bit-RGB; 18-Bit-RGB	Projective Capacitive
DEM 800480Q1 TMH-PW-N (C1-TOUCH)	5,0"	800 x 480	108,0 x 64,8	120,7 x 75,8	400 cd/m ² 50000 h	24-Bit-RGB; 18-Bit-RGB	Projective Capacitive
DEM 800480Q1 VMH-PW-N	5,0"	800 x 480	108,0 x 64,8	120,7 x 75,8	400 cd/m ² 50000 h	24-Bit-RGB; 18-Bit-RGB	No Touch
DEM 800480Q3 VMX-PW-N	5,0"	800 x 480	108,0 x 64,8	120,7 x 75,8	500 cd/m ² 50000 h	24-Bit-RGB; 18-Bit-RGB	No Touch
DEM 800480R TMH-PW-N	5,0"	800 x 480	108,0 x 64,8	120,7 x 75,8	450 cd/m ² 20000 h	16-Bit-MCU; 8-Bit-MCU	No Touch
DEM 800480S1 TMH-PW-N	5,0"	800 x 480	108,0 x 64,8	118,5 x 77,5	1000 cd/m ² 50000 h	24-Bit-RGB; 18-Bit-RGB	No Touch

other models upon request

GRAPHIC COLOR TFT

MODEL	SIZE	DISPLAY FORMAT	ACTIVE AREA	MODULE SIZE	BRIGHTNESS/ LIFETIME	MPU INTERFACE	REMARKS
DEM 800480S1 TMH-PW-N (A-TOUCH)	5,0"	800 x 480	108,0 x 64,8	118,5 x 77,5	800 cd/m ² 50000 h	24-Bit-RGB; 18-Bit-RGB	4-Wire-Resistive
DEM 800480S1 TMH-PW-N (C1-TOUCH)	5,0"	800 x 480	108,0 x 64,8	118,5 x 77,5	850 cd/m ² 50000 h	24-Bit-RGB; 18-Bit-RGB	Projective Capacitive
DEM 800480U TMH-PW-N	5,0"	800 x 480	108,0 x 64,8	120,7 x 75,8	500 cd/m ² 50000 h	HDMI (Raspberry Pi)	No Touch
DEM 800480U TMH-PW-N (A-TOUCH)	5,0"	800 x 480	108,0 x 64,8	120,7 x 75,8	350 cd/m ² 50000 h	HDMI (Raspberry Pi)	4-Wire-Resistive
DEM 800480U TMH-PW-N (C-TOUCH)	5,0"	800 x 480	108,0 x 64,8	120,7 x 75,8	400 cd/m ² 50000 h	HDMI (Raspberry Pi)	Projective Capacitive
DEM 800480W TMH-PW-N	5,0"	800 x 480	108,0 x 64,8	120,7 x 75,8	250 cd/m ² 30000 h	24-Bit-RGB; 18-Bit-RGB	No Touch
DEM 800480W TMH-PW-N (A-TOUCH)	5,0"	800 x 480	108,0 x 64,8	120,7 x 75,8	190 cd/m ² 30000 h	24-Bit-RGB; 18-Bit-RGB	4-Wire-Resistive
DEM 800480X VMH-PW-N	5,0"	800 x 480	108,0 x 64,8	114,1 x 74,9	500 cd/m ² 50000 h	24-Bit-RGB; 18-Bit-RGB	No Touch
DEM 800480Y VMH-PW-N	5,0"	800 x 480	108,0 x 64,8	118,5 x 77,5	1000 cd/m ² 50000 h	24-Bit-RGB; 18-Bit-RGB	No Touch
DEM 7201280A VMH-PW-N	5,0"	720 x 1280	62,1 x 110,4	66,1 x 120,4	300 cd/m ² 30000 h	DSI (MIPI)	No Touch
DEM 7201280A VMH-PW-N (C-TOUCH)	5,0"	720 x 1280	62,1 x 110,4	73,3 x 127,6	200 cd/m ² 30000 h	DSI (MIPI)	Projective Capacitive
DEM 480128C TMH-PW-N	5,2"	480 x 128	127,1 x 33,9	140,4 x 49,9	500 cd/m ² 50000 h	24-Bit-RGB; 18-Bit-RGB	No Touch
DEM 480128C TMH-PW-N (C-TOUCH)	5,2"	480 x 128	127,1 x 33,9	140,4 x 49,9	400 cd/m ² 50000 h	24-Bit-RGB; 18-Bit-RGB	Projective Capacitive
DEM 480128D TMH-PW-N	5,2"	480 x 128	127,1 x 33,9	180,0 x 65,0	500 cd/m ² 50000 h	16-Bit-MCU; 8-Bit-MCU	No Touch
DEM 320240D TMH-PW-N	5,7"	320 x 240	115,2 x 86,4	144,0 x 104,6	700 cd/m ² 50000 h	18-Bit-RGB	No Touch
DEM 320240D TMH-PW-N (A-TOUCH)	5,7"	320 x 240	115,2 x 86,4	144,0 x 104,6	560 cd/m ² 50000 h	18-Bit-RGB	4-Wire-Resistive
DEM 320240D TMH-PW-N (C2-TOUCH)	5,7"	320 x 240	115,2 x 86,4	144,0 x 104,6	630 cd/m ² 50000 h	18-Bit-RGB	Projective Capacitive
DEM 320240E TMH-PW-N	5,7"	320 x 240	115,2 x 86,4	144,0 x 104,6	1200 cd/m ² 30000 h	18-Bit-RGB	No Touch
DEM 320240I TMH-PW-N	5,7"	320 x 240	115,2 x 86,4	144,0 x 104,6	450 cd/m ² 40000 h	8-Bit-MCU	No Touch
DEM 320240I TMH-PW-N (A-TOUCH)	5,7"	320 x 240	115,2 x 86,4	144,0 x 104,6	360 cd/m ² 40000 h	8-Bit-MCU	4-Wire-Resistive
DEM 320240I TMH-PW-N (C2-TOUCH)	5,7"	320 x 240	115,2 x 86,4	144,0 x 104,6	450 cd/m ² 50000 h	8-Bit-MCU	Projective Capacitive
DEM 640480A TMH-PW-N	5,7"	640 x 480	112,9 x 84,7	160,0 x 109,0	200 cd/m ² 50000 h	8-Bit-MCU	No Touch
DEM 640480C TMH-PW-N	5,7"	640 x 480	115,2 x 86,4	144,0 x 104,6	380 cd/m ² 40000 h	18-Bit-RGB	No Touch
DEM 640480C TMH-PW-N (A-TOUCH)	5,7"	640 x 480	115,2 x 86,4	144,0 x 104,6	290 cd/m ² 40000 h	18-Bit-RGB	4-Wire-Resistive
DEM 640480D TMH-PW-N	5,7"	640 x 480	115,2 x 86,4	144,0 x 104,6	900 cd/m ² 50000 h	LVDS	No Touch
DEM 640480D TMH-PW-N (A-TOUCH)	5,7"	640 x 480	115,2 x 86,4	144,0 x 104,6	700 cd/m ² 50000 h	LVDS	4-Wire-Resistive
DEM 640480D TMH-PW-N (C2-TOUCH)	5,7"	640 x 480	115,2 x 86,4	144,0 x 104,6	720 cd/m ² 50000 h	LVDS	Projective Capacitive
DEM 640480D TMX-PW-N	5,7"	640 x 480	115,2 x 86,4	144,0 x 104,6	900 cd/m ² 50000 h	LVDS	No Touch
DEM 640480D TMX-PW-N (A-TOUCH)	5,7"	640 x 480	115,2 x 86,4	144,0 x 104,6	700 cd/m ² 50000 h	LVDS	4-Wire-Resistive
DEM 640480E TMH-PW-N	5,7"	640 x 480	115,2 x 86,4	144,0 x 104,6	900 cd/m ² 50000 h	18-Bit-RGB	No Touch
DEM 640480E TMH-PW-N (A-TOUCH)	5,7"	640 x 480	115,2 x 86,4	144,0 x 104,6	700 cd/m ² 50000 h	18-Bit-RGB	4-Wire-Resistive
DEM 640480E TMH-PW-N (C2-TOUCH)	5,7"	640 x 480	115,2 x 86,4	144,0 x 104,6	720 cd/m ² 50000 h	18-Bit-RGB	Projective Capacitive
DEM 640480E TMX-PW-N	5,7"	640 x 480	115,2 x 86,4	144,0 x 104,6	900 cd/m ² 50000 h	18-Bit-RGB	No Touch
DEM 640480E TMX-PW-N (A-TOUCH)	5,7"	640 x 480	115,2 x 86,4	144,0 x 104,6	700 cd/m ² 50000 h	18-Bit-RGB	4-Wire-Resistive
DEM 640480F TMH-PW-N	5,7"	640 x 480	115,2 x 86,4	127,0 x 98,4	750 cd/m ² 50000 h	18-Bit-RGB	No Touch
DEM 4801280A VMH-PW-N	6,8"	480 x 1280	60,2 x 160,6	66,1 x 171,8	700 cd/m ² 30000 h	DSI (MIPI)	No Touch
DEM 800480A TMH-PW-N	7,0"	800 x 480	152,4 x 91,4	166,6 x 109,4	500 cd/m ² 50000 h	18-Bit-RGB	No Touch
DEM 800480A TMH-PW-N (A-TOUCH)	7,0"	800 x 480	152,4 x 91,4	166,6 x 109,4	400 cd/m ² 50000 h	18-Bit-RGB	4-Wire-Resistive
DEM 800480A TMH-PW-N (C1-TOUCH)	7,0"	800 x 480	152,4 x 91,4	166,6 x 109,4	440 cd/m ² 50000 h	18-Bit-RGB	Projective Capacitive
DEM 800480A TMX-PW-N	7,0"	800 x 480	152,4 x 91,4	166,6 x 109,4	500 cd/m ² 50000 h	18-Bit-RGB	No Touch
DEM 800480A TMX-PW-N (A-TOUCH)	7,0"	800 x 480	152,4 x 91,4	166,6 x 109,4	400 cd/m ² 50000 h	18-Bit-RGB	4-Wire-Resistive
DEM 800480B TMH-PW-N	7,0"	800 x 480	152,4 x 91,4	166,6 x 109,4	500 cd/m ² 50000 h	LVDS	No Touch
DEM 800480B TMH-PW-N (A-TOUCH)	7,0"	800 x 480	152,4 x 91,4	166,6 x 109,4	400 cd/m ² 50000 h	LVDS	4-Wire-Resistive
DEM 800480B TMX-PW-N	7,0"	800 x 480	152,4 x 91,4	166,6 x 109,4	500 cd/m ² 50000 h	LVDS	No Touch
DEM 800480B TMX-PW-N (A-TOUCH)	7,0"	800 x 480	152,4 x 91,4	166,6 x 109,4	400 cd/m ² 50000 h	LVDS	4-Wire-Resistive
DEM 800480C TMH-PW-N	7,0"	800 x 480	152,4 x 91,4	166,6 x 109,4	1000 cd/m ² 50000 h	LVDS	No Touch
DEM 800480C TMH-PW-N (A-TOUCH)	7,0"	800 x 480	152,4 x 91,4	166,6 x 109,4	800 cd/m ² 50000 h	LVDS	4-Wire-Resistive
DEM 800480C TMH-PW-N (C2-TOUCH)	7,0"	800 x 480	152,4 x 91,4	166,6 x 109,4	880 cd/m ² 50000 h	LVDS	Projective Capacitive
DEM 800480C TMX-PW-N	7,0"	800 x 480	152,4 x 91,4	166,6 x 109,4	1000 cd/m ² 50000 h	LVDS	No Touch
DEM 800480C TMX-PW-N (A-TOUCH)	7,0"	800 x 480	152,4 x 91,4	166,6 x 109,4	800 cd/m ² 50000 h	LVDS	4-Wire-Resistive
DEM 800480F TMH-PW-N	7,0"	800 x 480	153,6 x 86,6	165,0 x 104,0	350 cd/m ² 20000 h	18-Bit-RGB	No Touch

other models upon request

GRAPHIC COLOR TFT

MODEL	SIZE	DISPLAY FORMAT	ACTIVE AREA	MODULE SIZE	BRIGHTNESS/ LIFETIME	MPU INTERFACE	REMARKS
DEM 800480F TMH-PW-N (A-TOUCH)	7,0"	800 x 480	153,6 x 86,6	165,0 x 104,0	280 cd/m ² 20000 h	18-Bit-RGB	4-Wire-Resistive
DEM 800480G1 TMH-PW-N	7,0"	800 x 480	154,1 x 85,9	165,0 x 100,0	460 cd/m ² 50000 h	HDMI (Raspberry Pi)	No Touch
DEM 800480G1 TMH-PW-N (A-TOUCH)	7,0"	800 x 480	154,1 x 85,9	165,0 x 100,0	320 cd/m ² 50000 h	HDMI (Raspberry Pi)	4-Wire-Resistive
DEM 800480G1 TMH-PW-N (C-TOUCH)	7,0"	800 x 480	154,1 x 85,9	165,0 x 100,0	350 cd/m ² 50000 h	HDMI (Raspberry Pi)	Projective Capacitive
DEM 800480I1 TMH-PW-N	7,0"	800 x 480	154,1 x 85,9	165,0 x 100,0	250 cd/m ² 30000 h	24-Bit-RGB; 18-Bit-RGB	No Touch
DEM 800480I1 TMH-PW-N (A-TOUCH)	7,0"	800 x 480	154,1 x 85,9	165,0 x 100,0	190 cd/m ² 30000 h	24-Bit-RGB; 18-Bit-RGB	4-Wire-Resistive
DEM 800480J1 TMH-PW-N	7,0"	800 x 480	153,8 x 85,6	164,9 x 100,0	450 cd/m ² 50000 h	24-Bit-RGB; 18-Bit-RGB	No Touch
DEM 800480J1 TMH-PW-N (A-TOUCH)	7,0"	800 x 480	153,8 x 85,6	164,9 x 100,0	350 cd/m ² 50000 h	24-Bit-RGB; 18-Bit-RGB	4-Wire-Resistive
DEM 800480J TMH-PW-N (C-TOUCH)	7,0"	800 x 480	154,1 x 85,9	164,9 x 100,0	350 cd/m ² 50000 h	24-Bit-RGB; 18-Bit-RGB	Projective Capacitive
DEM 800480K TMX-PW-N	7,0"	800 x 480	154,1 x 85,9	164,9 x 100,0	400 cd/m ² 20000 h	24-Bit-RGB; 18-Bit-RGB	No Touch
DEM 800480M TMH-PW-N	7,0"	800 x 480	154,1 x 85,9	164,9 x 100,0	450 cd/m ² 50000 h	8-Bit-MCU	No Touch
DEM 800480N2 TMH-PW-N	7,0"	800 x 480	154,1 x 85,9	165,0 x 100,0	500 cd/m ² 20000 h	24-Bit-RGB; 18-Bit-RGB	No Touch
DEM 800480N2 TMH-PW-N (A-TOUCH)	7,0"	800 x 480	154,1 x 85,9	165,0 x 100,0	350 cd/m ² 20000 h	24-Bit-RGB; 18-Bit-RGB	4-Wire-Resistive
DEM 800480N2 TMH-PW-N (C-TOUCH)	7,0"	800 x 480	154,1 x 85,9	165,0 x 100,0	400 cd/m ² 20000 h	24-Bit-RGB; 18-Bit-RGB	Projective Capacitive
DEM 800480O VMH-PW-N	7,0"	800 x 480	153,8 x 85,6	165,0 x 104,0	420 cd/m ² 30000 h	24-Bit-RGB; 18-Bit-RGB	No Touch
DEM 800480O VMH-PW-N (A-TOUCH)	7,0"	800 x 480	153,8 x 85,6	165,0 x 104,0	330 cd/m ² 30000 h	24-Bit-RGB; 18-Bit-RGB	4-Wire-Resistive
DEM 800480P TMH-PW-N	7,0"	800 x 480	152,4 x 91,4	166,6 x 109,4	1000 cd/m ² 50000 h	18-Bit-RGB	No Touch
DEM 800480P TMH-PW-N (A-TOUCH)	7,0"	800 x 480	152,4 x 91,4	166,6 x 109,4	800 cd/m ² 50000 h	18-Bit-RGB	4-Wire-Resistive
DEM 800480P TMH-PW-N (C2-TOUCH)	7,0"	800 x 480	152,4 x 91,4	166,6 x 109,4	880 cd/m ² 50000 h	18-Bit-RGB	Projective Capacitive
DEM 800480T TMH-PW-N	7,0"	800 x 480	152,4 x 91,4	165,0 x 104,5	600 cd/m ² 50000 h	LVDS	No Touch
DEM 1024600A TMH-PW-N	7,0"	1024 x 600	153,6 x 90,0	165,7 x 105,4	460 cd/m ² 30000 h	LVDS	No Touch
DEM 1024600A TMH-PW-N (A-TOUCH)	7,0"	1024 x 600	153,6 x 90,0	165,7 x 105,4	360 cd/m ² 30000 h	LVDS	4-Wire-Resistive
DEM 1024600G1 TMH-PW-N	7,0"	1024 x 600	154,2 x 85,9	164,8 x 99,8	600 cd/m ² 50000 h	LVDS	No Touch
DEM 1024600G1 TMH-PW-N (A-TOUCH)	7,0"	1024 x 600	154,2 x 85,9	164,8 x 99,8	400 cd/m ² 50000 h	LVDS	4-Wire-Resistive
DEM 1024600G1 TMH-PW-N (C-TOUCH)	7,0"	1024 x 600	154,2 x 85,9	164,8 x 99,8	450 cd/m ² 50000 h	LVDS	Projective Capacitive
DEM 1024600H TMH-PW-N	7,0"	1024 x 600	154,2 x 85,9	165,0 x 99,8	600 cd/m ² 50000 h	HDMI (Raspberry Pi)	No Touch
DEM 1024600H TMH-PW-N (A-TOUCH)	7,0"	1024 x 600	154,2 x 85,9	165,0 x 99,8	400 cd/m ² 50000 h	HDMI (Raspberry Pi)	4-Wire-Resistive
DEM 1024600H TMH-PW-N (C-TOUCH)	7,0"	1024 x 600	154,2 x 85,9	165,0 x 99,8	450 cd/m ² 50000 h	HDMI (Raspberry Pi)	Projective Capacitive
DEM 1024600J VMH-PW-N	7,0"	1024 x 600	154,2 x 85,9	165,0 x 100,0	500 cd/m ² 50000 h	LVDS	No Touch
DEM 1024600J VMH-PW-N (A-TOUCH)	7,0"	1024 x 600	154,2 x 85,9	165,0 x 100,0	450 cd/m ² 50000 h	LVDS	4-Wire-Resistive
DEM 1024600J VMH-PW-N (C-TOUCH)	7,0"	1024 x 600	154,2 x 85,9	165,0 x 100,0	450 cd/m ² 50000 h	LVDS	Projective Capacitive
DEM 1024600L VMH-PW-N	7,0"	1024 x 600	154,2 x 85,9	170,0 x 110,0	1000 cd/m ² 50000 h	LVDS	No Touch
DEM 1024600L VMH-PW-N (A-TOUCH)	7,0"	1024 x 600	154,2 x 85,9	170,0 x 110,0	800 cd/m ² 50000 h	LVDS	4-Wire-Resistive
DEM 1024600L VMH-PW-N (C-TOUCH)	7,0"	1024 x 600	154,2 x 85,9	170,0 x 110,0	900 cd/m ² 50000 h	LVDS	Projective Capacitive
DEM 800480L TMX-PW-N	8,0"	800 x 480	176,6 x 99,4	192,8 x 116,9	450 cd/m ² 20000 h	24-Bit-RGB; 18-Bit-RGB	No Touch
DEM 800600A TMH-PW-N	8,0"	800 x 600	162,0 x 121,5	183,0 x 141,0	400 cd/m ² 40000 h	18-Bit-RGB	No Touch
DEM 800600A TMH-PW-N (A-TOUCH)	8,0"	800 x 600	162,0 x 121,5	183,0 x 141,0	320 cd/m ² 40000 h	18-Bit-RGB	4-Wire-Resistive
DEM 800600A TMH-PW-N (C-TOUCH)	8,0"	800 x 600	162,0 x 121,5	204,6 x 164,6	320 cd/m ² 40000 h	18-Bit-RGB	Projective Capacitive
DEM 800600B TMH-PW-N	8,0"	800 x 600	162,0 x 121,5	176,3 x 138,2	1300 cd/m ² 50000 h	18-Bit-RGB	No Touch
DEM 800600B TMH-PW-N (C1-TOUCH)	8,0"	800 x 600	162,0 x 121,5	204,6 x 164,6	1100 cd/m ² 50000 h	18-Bit-RGB	Projective Capacitive
DEM 800600C TMH-PW-N	8,0"	800 x 600	162,0 x 121,5	183,0 x 141,0	400 cd/m ² 40000 h	LVDS	No Touch
DEM 800600C TMH-PW-N (A-TOUCH)	8,0"	800 x 600	162,0 x 121,5	183,0 x 141,0	320 cd/m ² 40000 h	LVDS	4-Wire-Resistive
DEM 800600C TMH-PW-N (C-TOUCH)	8,0"	800 x 600	162,0 x 121,5	204,6 x 164,6	320 cd/m ² 40000 h	LVDS	Projective Capacitive
DEM 800600D TMH-PW-N	8,0"	800 x 600	162,0 x 121,5	176,3 x 138,2	1300 cd/m ² 50000 h	LVDS	No Touch
DEM 800600D TMH-PW-N (A-TOUCH)	8,0"	800 x 600	162,0 x 121,5	176,3 x 138,2	1000 cd/m ² 50000 h	LVDS	4-Wire-Resistive
DEM 1024600C VMH-PW-N	8,0"	1024 x 600	176,6 x 99,4	192,8 x 116,9	500 cd/m ² 30000 h	LVDS	No Touch
DEM 1024768B VM-PW-N	8,0"	1024 x 768	162,0 x 121,5	175,7 x 137,8	600 cd/m ² 50000 h	LVDS	No Touch
DEM 1024768B VM-PW-N (A-TOUCH)	8,0"	1024 x 768	162,0 x 121,5	175,7 x 137,8	500 cd/m ² 50000 h	LVDS	4-Wire-Resistive
DEM 1024768B VM-PW-N (C-TOUCH)	8,0"	1024 x 768	162,0 x 121,5	203,0 x 162,5	540 cd/m ² 50000 h	LVDS	Projective Capacitive
DEM 1600480A VMH-PW-N	8,0"	1600 x 480	194,4 x 58,3	208,0 x 73,0	450 cd/m ² 50000 h	LVDS	No Touch
DEM 1920480A VMH-PW-N	8,9"	1920 x 480	218,9 x 54,7	231,3 x 64,3	600 cd/m ² 30000 h	DSI (MIPI)	No Touch

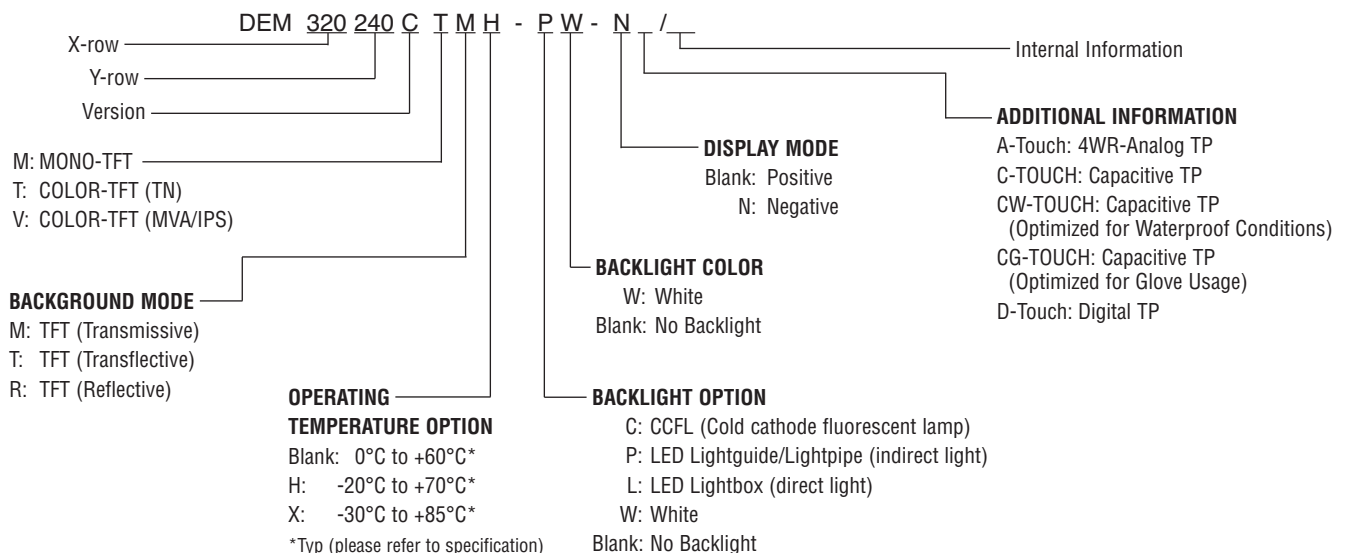
other models upon request

GRAPHIC COLOR TFT

MODEL	SIZE	DISPLAY FORMAT	ACTIVE AREA	MODULE SIZE	BRIGHTNESS/ LIFETIME	MPU INTERFACE	REMARKS
DEM 1024105A TMH-PW-N	9,0"	1024 x 105	230,4 x 23,6	240,1 x 37,8	400 cd/m ² 30000 h	24-Bit-RGB; 18-Bit-RGB	No Touch
DEM 1024600B TMH-PW-N	10,1"	1024 x 600	222,7 x 125,3	235,0 x 143,0	500 cd/m ² 30000 h	LVDS	No Touch
DEM 1024600F TMH-PW-N	10,1"	1024 x 600	222,7 x 125,3	235,0 x 143,0	500 cd/m ² 30000 h	LVDS	No Touch
DEM 1024600I TMH-PW-N	10,1"	1024 x 600	222,7 x 125,3	235,0 x 143,0	300 cd/m ² 30000 h	24-Bit-RGB; 18-Bit-RGB	No Touch
DEM 1024600I TMH-PW-N (A-TOUCH)	10,1"	1024 x 600	222,7 x 125,3	235,0 x 143,0	240 cd/m ² 30000 h	24-Bit-RGB; 18-Bit-RGB	4-Wire-Resistive
DEM 1024600I TMH-PW-N (C-TOUCH)	10,1"	1024 x 600	222,7 x 125,3	259,5 x 161,7	260 cd/m ² 30000 h	24-Bit-RGB; 18-Bit-RGB	Projective Capacitive
DEM 1024600K TMH-PW-N	10,1"	1024 x 600	222,7 x 125,3	235,0 x 143,0	300 cd/m ² 30000 h	LVDS	No Touch
DEM 1024600K TMH-PW-N (A-TOUCH)	10,1"	1024 x 600	222,7 x 125,3	235,0 x 143,0	240 cd/m ² 30000 h	LVDS	4-Wire-Resistive
DEM 1024600K TMH-PW-N (C-TOUCH)	10,1"	1024 x 600	222,7 x 125,3	259,5 x 161,7	260 cd/m ² 30000 h	LVDS	Projective Capacitive
DEM 1280800A TMH-PW-N	10,1"	1280 x 800	217,0 x 135,6	230,6 x 155,0	1000 cd/m ² 50000 h	LVDS	No Touch
DEM 1280800B TMH-PW-N	10,1"	1280 x 800	217,0 x 135,6	230,6 x 155,0	1500 cd/m ² 50000 h	LVDS	No Touch
DEM 1280800C VMX-PW-N	10,1"	1280 x 800	217,0 x 135,6	232,7 x 155,5	1300 cd/m ² 50000 h	LVDS	No Touch
DEM 1280800C VMX-PW-N (C1-TOUCH)	10,1"	1280 x 800	217,0 x 135,6	242,0 x 175,0	1100 cd/m ² 50000 h	LVDS	Projective Capacitive
DEM 1280800C VMX-PW-N (C2-TOUCH)	10,1"	1280 x 800	217,0 x 135,6	242,0 x 175,0	1100 cd/m ² 50000 h	LVDS	Projective Capacitive
DEM 1024768C VMH-PW-N	10,4"	1024 x 768	211,2 x 158,4	243,0 x 185,6	1200 cd/m ² 50000 h	LVDS	No Touch
DEM 1024768C VMH-PW-N (C-TOUCH)	10,4"	1024 x 768	211,2 x 158,4	259,2 x 206,4	900 cd/m ² 50000 h	LVDS	Projective Capacitive
DEM 1280120B TMH-PW-N	11,0"	1280 x 120	280,3 x 27,0	288,9 x 41,2	750 cd/m ² 30000 h	18-Bit-RGB	No Touch
DEM 1280120C TMH-PW-N	11,0"	1280 x 120	280,3 x 27,0	288,9 x 41,2	900 cd/m ² 30000 h	18-Bit-RGB	No Touch
DEM 19201080A VMH-PW-N	11,6"	1920 x 1080	256,3 x 144,2	267,7 x 164,4	450 cd/m ² 30000 h	eDP	No Touch
DEM 1024768A TMX-PW-N	12,1"	1024 x 768	245,8 x 184,3	260,5 x 204,0	600 cd/m ² 50000 h	LVDS	No Touch
DEM 1024768A1 VMX-PW-N	12,1"	1024 x 768	245,8 x 184,3	260,5 x 204,0	600 cd/m ² 50000 h	LVDS	No Touch
DEM 1920720B VMX-PW-N	12,3"	1920 x 720	292,0 x 109,5	307,9 x 132,3	800 cd/m ² 50000 h	LVDS	No Touch
DEM 1920720C VMX-PW-N	12,3"	1920 x 720	292,0 x 109,5	307,0 x 125,9	1000 cd/m ² 15000 h	LVDS	No Touch
DEM 1280720A VMH-PW-N	12,8"	1280 x 720	283,2 x 159,3	300,8 x 179,5	500 cd/m ² 30000 h	LVDS	No Touch
DEM 19201080B VM-PW-N	13,3"	1920 x 1080	293,8 x 165,2	307,6 x 183,0	500 cd/m ² 10000 h	eDP	No Touch
DEM 19201080C VMH-PW-N	15,6"	1920 x 1080	344,2 x 193,6	360,0 x 212,3	500 cd/m ² 10000 h	eDP	No Touch
DEM 1920132A VM-PW-N	21,0"	1920 x 132	529,4 x 36,4	542,4 x 54,7	300 cd/m ² 30000 h	LVDS	No Touch
DEM 1920360B VM-PW-N	21,2"	1920 x 360	529,4 x 99,3	553,7 x 124,5	400 cd/m ² 15000 h	LVDS	No Touch
DEM 1280092A VM-PW-N	23,2"	1280 x 92	588,5 x 42,3	611,3 x 62,6	1100 cd/m ² 15000 h	LVDS	No Touch
DEM 1920360A VM-PW-N	28,0"	1920 x 360	699,8 x 131,2	732,0 x 165,0	700 cd/m ² 30000 h	LVDS	No Touch

other models upon request

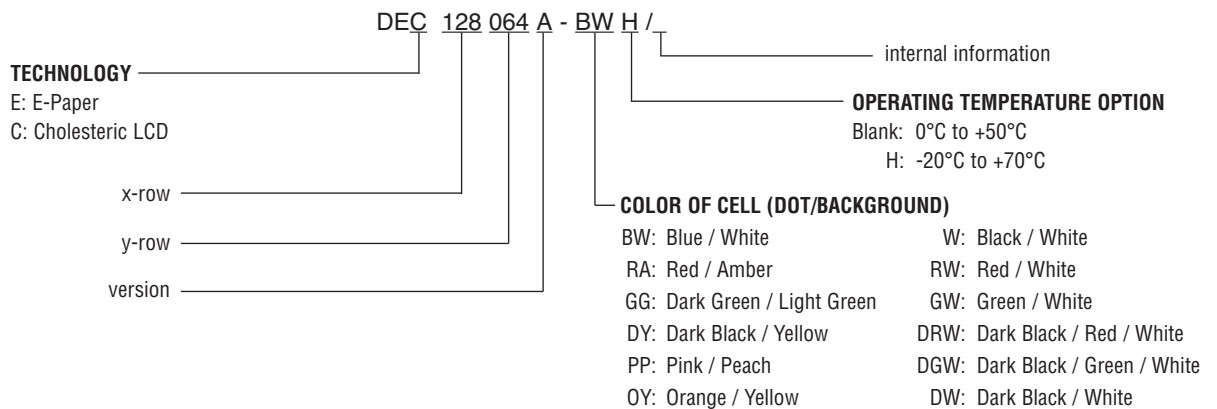
ORDERING INFORMATION GRAPHIC COLOR TFT



BISTABLE DISPLAYS

MODEL	DIAGONAL SIZE	DISPLAY FORMAT	COLOR	VIEWING AREA	MODULE SIZE	TECHNOLOGY	INTERFACE	IC CONTROLLER DRIVER
DEC 128064A BWH	2,7"	128 x 64	BW - Blue-White	61,00 x 31,40	65,00 x 43,40	BCD (Bistable Cholesteric Display)	SPI	SSD1603
DEC 128064A DYH	2,7"	128 x 64	DY - Black-Yellow	61,00 x 31,40	65,00 x 43,40	BCD (Bistable Cholesteric Display)	SPI	SSD1603
DEC 240096A BWH	2,1"	240 x 96	BW - Blue-White	48,47 x 23,03	61,50 x 32,00	BCD (Bistable Cholesteric Display)	SPI	SSD1655
DEC 240096A DYH	2,1"	240 x 96	DY - Black-Yellow	48,47 x 23,03	61,50 x 32,00	BCD (Bistable Cholesteric Display)	SPI	SSD1655
DEC 480160A BWH	8,7"	480 x 160	BW - Blue-White	215,99 x 54,39	229,50 x 66,80	BCD (Bistable Cholesteric Display)	8-Bit-MCU; SPI	UCi7701c+UCi7702c
DEC 480160A DYH	8,7"	480 x 160	DY - Black-Yellow	215,99 x 54,39	229,50 x 66,80	BCD (Bistable Cholesteric Display)	8-Bit-MCU; SPI	UCi7701c+UCi7702c
DEE 128296A-W	2,9"	128 x 296	W - White	29,05 x 66,89	36,70 x 79,00	EPD (E-Paper)	SPI	t.b.d.
DEE 152152A-W	1,5"	152 x 152	W - White	27,51 x 27,51	31,80 x 37,32	EPD (E-Paper)	SPI	SSD1675Z
DEE 172072A-W	2,0"	172 x 72	W - White	48,16 x 20,16	59,20 x 29,20	EPD (E-Paper)	SPI	t.b.d.
DEE 200200A-W	1,6"	200 x 200	W - White	27,60 x 27,60	31,80 x 37,20	EPD (E-Paper)	SPI	t.b.d.
DEE 250122A-W	2,1"	250 x 122	W - White	23,80 x 48,55	29,20 x 59,20	EPD (E-Paper)	SPI	SSD1673
DEE 800480A-W	3,5"	800 x 480	W - White	76,16 x 45,70	89,11 x 52,50	EPD (E-Paper)	8-Bit-MCU	t.b.d.
DEE 800480A3-W	3,5"	800 x 480	W - White	76,16 x 45,70	89,11 x 52,50	EPD (E-Paper)	8-Bit-MCU	t.b.d.
DEE 400300A2-W	4,2"	400 x 300	W - White	84,80 x 63,60	91,00 x 77,00	EPD (E-Paper)	SPI	t.b.d.
DEE 800600A-W	4,3"	800 x 600	W - White	88,00 x 66,00	104,00 x 74,60	EPD (E-Paper)	8-Bit-MCU	t.b.d.
DEE 800600A3-W	4,3"	800 x 600	W - White	88,00 x 66,00	104,00 x 74,60	EPD (E-Paper)	8-Bit-MCU	t.b.d.
DEE 600800A-W	6,0"	600 x 800	W - White	90,60 x 122,40	101,80 x 138,40	EPD (E-Paper)	8-Bit-MCU	t.b.d.
DEE 7681024A-W	8,0"	768 x 1024	W - White	122,11 x 162,82	134,11 x 178,56	EPD (E-Paper)	8-Bit-MCU	t.b.d.
DEE D0601A1-W	1,0"	1 x 6 DIGIT	W - White	23,54 x 6,54	28,54 x 14,84	EPD (E-Paper)	SPI	t.b.d.

ORDERING INFORMATION BISTABLE DISPLAYS



TOUCH-PANELS

Display Elektronik GmbH offers a wide range of touch panel technologies at attractive prices.

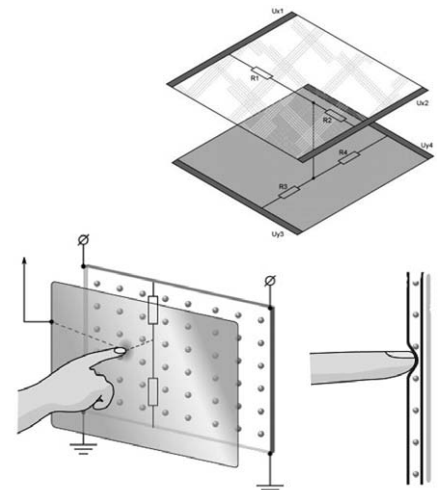
We can support the following touch technologies depending on your project requirements:

- 4-Wire-Resistive Touch
- 5-Wire-Resistive Touch
- 8-Wire-Resistive Touch
- Capacitive Touch (Multi-Touch, Projective Capacitive, PCAP, PCT)
- IR Infrared
- SAW (Surface Acoustic Wave)

We can support to customize the cover glass with your required sizes and special prints based on existing touch panel products or your full customized solution.

Full customized Touch panel solutions can be realized in low volumes at economic prices.

Please contact us for further information.



LED-DISPLAYS

Display Elektronik GmbH has most standard LED-products available at attractive prices.

Display Elektronik GmbH offers the following LED-products:

- 7-SEGMENT-MODULES (monochrome)
- ALPHANUMERIC-MODULES (monochrome)
- DOT-MATRIX (multi-color)
- SMD-LEDs and LED-lamps
- 7-SEGMENT-MODULES (multi-color)
- DOT-MATRIX (monochrome)
- DOT-MATRIX (full-color-RGB)
- LED-BACKLIGHT FOR LCD-DISPLAYS

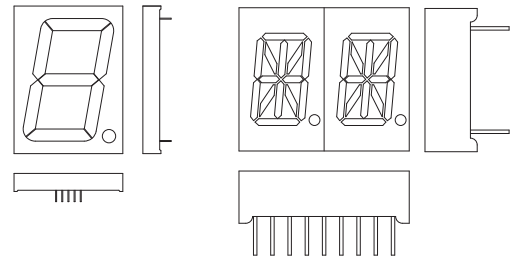
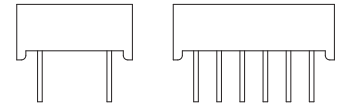
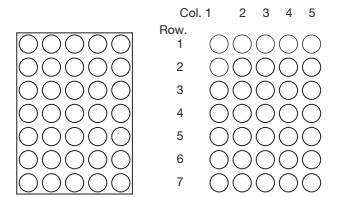
In general we offer the following colors:

- Orange (GaAsP/GaP) $\lambda \sim 625 \text{ nm}$
- Yellow (GaAsP/GaP) $\lambda \sim 590 \text{ nm}$
- Pure Green (InGaN/SiC) $\lambda \sim 525 \text{ nm}$
- Red (AlGaAs/GaAs) $\lambda \sim 643 \text{ nm}$
- Blue (InGaN/SiC) $\lambda \sim 465 \text{ nm}$
- Yellow Green (AlInGaP/GaAs) $\lambda \sim 570 \text{ nm}$
- Red (AlGaInP/GaAs) $\lambda \sim 630 \text{ nm}$
- Yellow (AlGaInP/GaAs) $\lambda \sim 590 \text{ nm}$
- Orange (AlGaInP/GaAs) $\lambda \sim 605 \text{ nm}$
- ... others on request

LED-modules

- Partially available with black or grey surface
- High quality and low cost
- I.C. compatibility
- Long lifetime
- High intensity and high reliability
- Low power requirements
- Easy assembly

Customized LED-modules can be manufactured in low volume at economic prices.

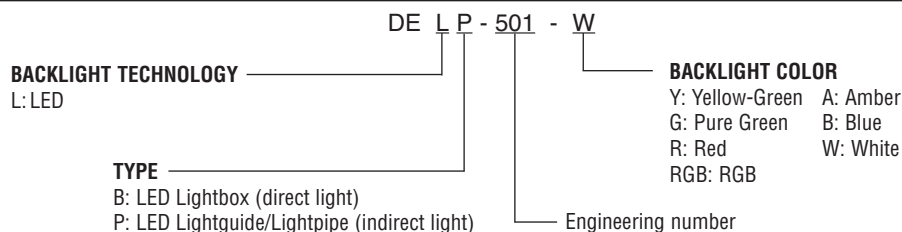


LED-BACKLIGHTS

MODEL	COLOR OPTIONS	SUITABLE LCD's	VIEWING AREA	OUTLINE	LIFETIME
DE LB-1804-G	Yellow-Green	DE 156	131,00 x 32,00	135,00 x 37,00 x 7,00	30.000 h
DE LP-501-A	A-Amber; B-Blue; R-Red; RGB-RGB; W-White; Y:Yellow-Green	DE 113; DE 114; DE 119; DE 121; DE 129; DE 152; DE 159; DE 161; DE 170; DE 183; DE 303	46,80 x 19,00	55,75 x 22,86 x 2,50	50.000 h
DE LP-502-A	A-Amber; B-Blue; R-Red; RGB-RGB; W-White; Y:Yellow-Green	DE 156	131,00 x 32,00	145,20 x 40,73 x 2,50	50.000 h
DE LP-503-A	A-Amber; B-Blue; R-Red; RGB-RGB; W-White; Y:Yellow-Green	DE 112	22,08 x 17,90	33,00 x 22,86 x 2,50	50.000 h
DE LP-504-A	A-Amber; B-Blue; R-Red; RGB-RGB; W-White; Y:Yellow-Green	DE 123	25,13 x 12,43	35,50 x 17,78 x 2,50	50.000 h
DE LP-505-A	A-Amber; B-Blue; R-Red; RGB-RGB; W-White; Y:Yellow-Green	DE 120; DE 131; DE 182; DE 184	66,80 x 27,00	75,00 x 30,48 x 2,50	50.000 h
DE LP-506-A	A-Amber; B-Blue; R-Red; RGB-RGB; W-White; Y:Yellow-Green	DE 158; DE 160	88,50 x 32,75	99,00 x 38,10 x 2,50	50.000 h
DE LP-507-A	A-Amber; B-Blue; R-Red; RGB-RGB; W-White; Y:Yellow-Green	DE 130	75,93 x 25,13	86,30 x 30,48 x 2,50	50.000 h
DE LP-508-A	A-Amber; B-Blue; R-Red; RGB-RGB; W-White; Y:Yellow-Green	DE 122; DE 133	64,49 x 17,51	75,00 x 22,86 x 2,50	50.000 h
DE LP-509-A	A-Amber; B-Blue; R-Red; RGB-RGB; W-White; Y:Yellow-Green	DE 132	88,50 x 25,13	99,00 x 30,48 x 2,50	50.000 h
DE LP-510-A	A-Amber; B-Blue; R-Red; RGB-RGB; W-White; Y:Yellow-Green	DE 125	88,50 x 17,51	99,00 x 22,86 x 2,50	50.000 h
DE LP-511-A	A-Amber; B-Blue; R-Red; RGB-RGB; W-White; Y:Yellow-Green	DE 117	22,10 x 10,00	29,00 x 11,80 x 2,50	50.000 h
DE LP-512-A	A-Amber; B-Blue; R-Red; RGB-RGB; W-White; Y:Yellow-Green	DE 127; DE 128; DE 151; DE 301	48,00 x 13,00	57,75 x 17,78 x 2,50	50.000 h

other models upon request

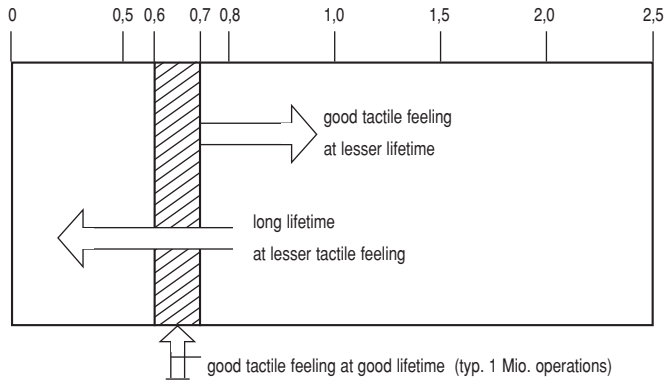
ORDERING INFORMATION LED BACKLIGHTS



GENERAL FEATURES OF SILICONE RUBBER KEYPADS

The flexibility of silicone material allows a wide variety of shapes. Low pricing for mass production is an additional advantage of this technology.

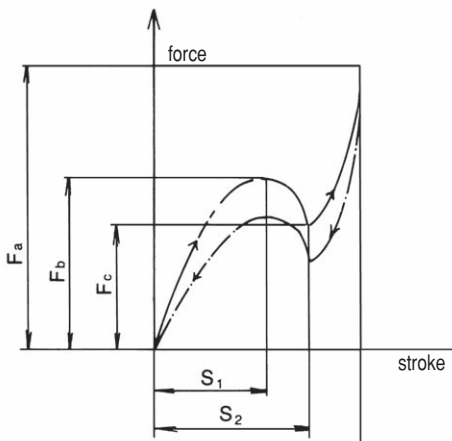
TACTILE FEELING



actuation force	tactile feeling	lifetime (operations)
50 g	very good	1 Mio.
70 g		1 Mio.
90 g		1 Mio.
100 g		1 Mio.
120 g	good	1 Mio.
150 g		560 K
170 g		450 K
200 g	less good	50K Typ (100 K Max)

This table shows typical data

DIAGRAM


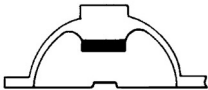
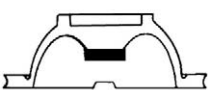
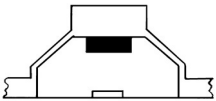
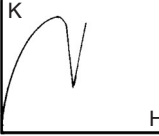
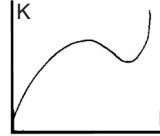
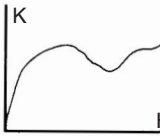
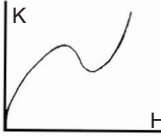
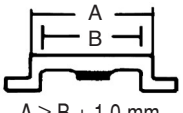
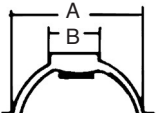
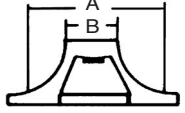


- Fa: overall force
- Fb: switching force
- Fc: tactile feeling
- S₁: point of return
- S₂: switching stroke

GENERAL PARAMETER

- stroke: 0,2 mm 5 mm
- switching current: 30 mA bei 12 VDC/0,5 sek.
- operating temperature: -25°C + 250°C
- switching force: 10 g 200 g
- lifetime (operations): 1 Mio.
- contact resistance: < 100 Ω
- bouncing: < 5 m sek.
- insulation resistance: 100 MΩ at 500 VDC

DIRECTIONS FOR KEYS

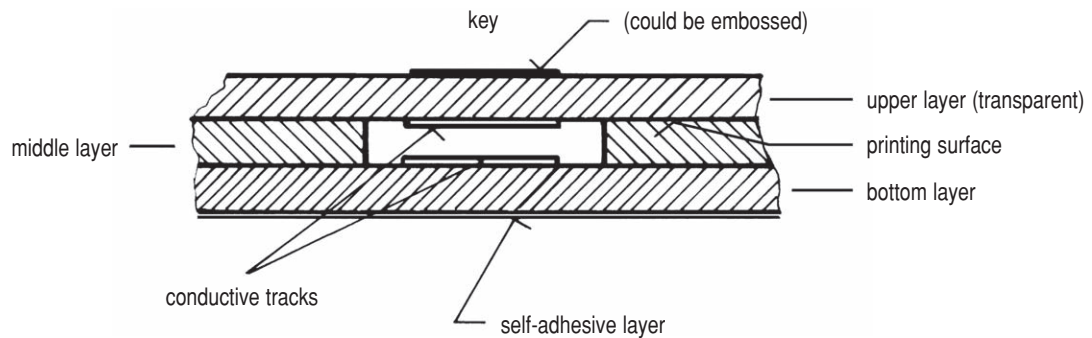
KEYTYPE	A - flat type	B - bell type	C - double bell type	D - cone type
				
pressure/stroke curve				
relation between pressure (g) and stroke (mm)	pressure (g) 30 - 200 stroke (mm) 0,3 - 7	pressure (g) 30 - 80 80 - 160 160 - 250	stroke (mm) 1,0 - 1,8 1,6 - 2,8 2,6 - 3,5	pressure (g) 30 - 200 stroke (mm) 0,3 - 7
outer dimensions (A) at a defined key head diameter (B)	 A ≥ B + 1,0 mm		A ≥ B + 2,0 mm	 A ≥ B ± 2,0 mm

GENERAL DESCRIPTION OF MEMBRANE SWITCHES

Membrane switches are keypads with an integrated (mainly flexible) PCB. In principle, they consist of three layers. The upper, transparent layer, which faces the viewer, has the printing on the bottom side according to customer's design. This results in a high protection. The keys themselves can be embossed to achieve a good tactile feeling. The bottom side of the keys will be conductive. The middle

layer allows distance between the upper and lower layer. Open areas of the middle layer allow a switching process by pressing the key. The tracks on the surface of the lower layer lead to the connector. On request we can supply the finished keyboard ready for assembly. For easy mounting the rear-side is usually self-adhesive.

CONSTRUCTION



GENERAL FEATURES

- high reliability at a long lifetime
- flexible design (size, colors, printing, embossing)
- flat and flexible
- compact construction with integrated functions (e.g. LEDs)
- easy to connect
- applicable wherever data have to be entered manually

ELECTRICAL AND PHYSICAL PARAMETERS *

	Parameter	Data
Electrical data	contact resistance	100 Ohm or less
	insulation resistance	100 MOhm or more at 100 V DC
	operating voltage	< 24 V
	max. current	10 mA
	min. current	50 µA
	max. power	1 W
	bouncing	15 ms or less
Mechanical data	operating force	1 - 5 N
	stroke	ca. 0,2 - 0,7 mm
	lifetime	> 1.000.000 operations
	protection level	IP65
	operating temperature	-20°C to +70°C / 50-80% RH
	storage temperature	-40°C to +80°C / 10-85% RH

* depending on construction

...Welcome!

As a display and customized keypad specialized partner of the European manufacturing industry, we have our strength in custom-designed display-solutions, such as LCD, LED, TFT, OLED and BISTABLE. Customized products can be produced also in low volumes at economical prices.

We offer a full custom design service, from a simple segment display panel to a complete graphic display solution including interface, backlight and additional components like buttons.

The extensive exchange of information with our customers leads to an optimum result, if we can take part in the development at an early stage. For some customers we keep interim stock, so that we can deliver parts immediately, in case unforeseen urgent requirements occur.



In Frankfurt we evaluate and validate our products in our own well equipped laboratory. The validation may include electrical, optical, temperature and humidity tests.



In accordance to our philosophy and as a result of the ISO9001 certification we do additional income inspections to ensure reliable deliveries to our customers.



In Frankfurt we have our purpose built logistic center providing the lowest cost channel for our products to flow into the European Market. We also hold a large stock quantity for immediate shipments.



Welcome to visit our showroom. We invite you to see most of our products in our showroom. This helps to discuss all the possible solutions for your projects.



We participate in international exhibitions to bring our products to the market and to allow our visitors to learn more about our products.

Display Elektronik GmbH has most standard products available from stock at attractive prices. Our standard LCD-product range includes LCD-Panels, Digital-Modules, Alphanumeric-Modules and Graphic-Modules. To complete our LCD-product range we offer TFT-displays, OLED-displays and E-Paper Displays as well. In addition we also offer LED-displays, and several accessories like LED-Backlights, Touch-Panels and customized Membrane Switches and customized Rubber Keypads as well.

Please contact us – we will make sure that the first step will lead to a successful long lasting reliable partnership.

... Join our partnership !

Display Elektronik GmbH

Am Rauner Graben 15
63667 Nidda - Germany -

Tel. +49 (0) 60 43 - 9 88 88 - 0
Fax +49 (0) 60 43 - 9 88 88 - 11

www.display-elektronik.de
info@display-elektronik.de

Sign our NEWSLETTER, watch our IMAGEVIDEO and discover our PRODUCT RANGE:
www.display-elektronik.de

display[®]

...since 1984

**COMPANY
PROFILE**

